



Bobcat

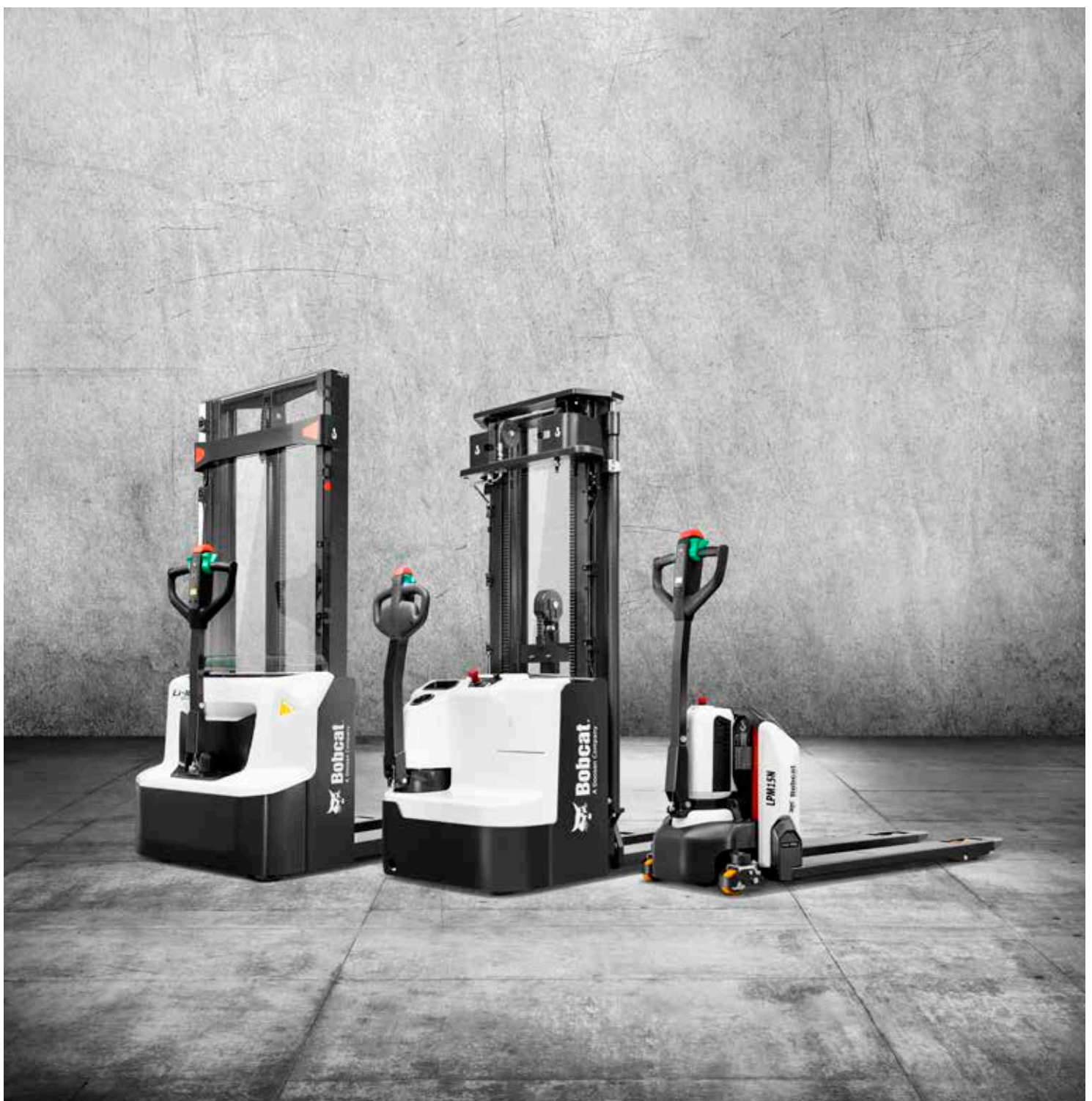
One Tough Animal

SPECIFICATIONS

POWERED PALLET TRUCKS & STACKERS

Warehouse Equipment, Entry Level

🌐 EMEA



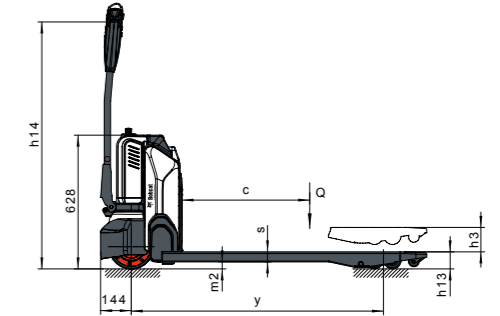
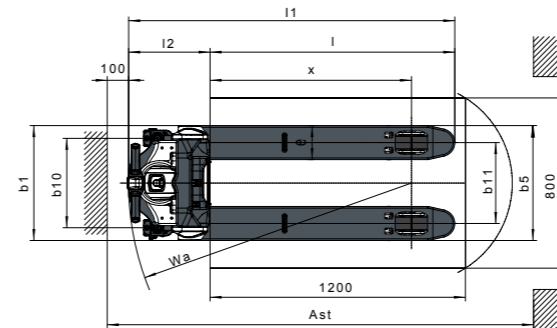
MAIN SPECIFICATIONS

TECHNICAL DATA ACCORDING TO VDI 2198								
	Unit	LPM15N-7	LPM20N-7	LSM12N-7	BSL12N-7	BSL16N-7		
CHARACTERISTICS								
1.3 Drive		electric						
1.4 Operator type		walkie, middle drive			walkie			
1.5 Load capacity, rated load center (kg)	Q	kg	1 500	2 000	1 200	1 200	1 600	
1.6 Load center (mm)	c	mm	600					
1.8 Load distance (mm)	x	mm	947	951	760	647		
1.9 Wheelbase (mm)	y	mm	1 185	1 189	1 147	1 248	1 293	
WEIGHT								
2.1 Service weight (incl. battery) (kg)		kg	123	149	585	1 007	1 340	
2.2 Axle loading, with load, front / rear (kg)		kg	623 / 1 000	621 / 1 528	560 / 1 225	684 / 1 523	930 / 2 010	
2.3 Axle loading, without load, front / rear (kg)		kg	96 / 27	115 / 34	440 / 145	610 / 397	850 / 490	
TIRES								
3.1 Tires		polyurethane						
3.2 Tire size, front (mm)		mm	ø210 × 70			ø230 × 70		
3.3 Tire size, rear (mm)		mm	ø80 × 93		ø84 × 93		ø85 × 75	
3.4 Additional wheels (dimensions) (mm)		mm	ø80 × 30		ø100 × 50		ø150 × 54	
3.5 Wheels, number front / rear (x=driven wheels)			1x / 2 (1x / 4) or 1x + 2 / 2 (1x + 2 / 4)		1x + 1 / 2		1x + 1 / 4	
3.6 Track width, front (mm)	b10	mm	ø430		550		522	
3.7 Track width, rear (mm)	b11	mm	ø380		400 / 515		390 / 505	
DIMENSIONS								
4.2 Height mast lowered (mm)	h1	mm	–	–	2 280	2 308	2 108	
4.4 Lift (mm)	h3	mm	115			see table		
4.5 Height mast extended (mm)	h4	mm	–			4 037	5 080	
4.9 Height of tiller in drive position, min. / max. (mm)	h14	mm	700 / 1 160		710 / 1 150		850 / 1 385	
4.15 Height, lowered (mm)	h13	mm	80		86		90	
4.19 Overall length (mm)	l1	mm	1 530	1 536	1 710	1 919	1 964	
4.20 Length to forkface (mm)	l2	mm	380	386	560	769	814	
4.21 Overall width (mm)	b1	mm	540		800		820	
4.22 Fork dimensions (mm)	s/e/l	mm	47 × 160 × 1 150			60 × 180 × 1 150		
4.25 Distance over forks (mm)	b5	mm	540		570 / 685			
4.32 Ground clearance, center of wheelbase (mm)	m2	mm	33		26		28	
4.34.2 Aisle width for pallets 1 000 × 1 200 lengthways (mm)	Ast	mm	2 000	2 006	2 197	2 336	2 406	
4.34.1 Aisle width for pallets 800 × 1 200 lengthways (mm)	Ast	mm	–		2 145		2 322	
4.35 External turning radius (mm)	Wa	mm	1 330	1 336	1 350	1 440	1 510	
PERFORMANCE DATA								
5.1 Travel speed, with / without load (km/h)		km/h	4.6 / 4.8	4.8 / 5.2	4.5 / 4.7	6.0 / 6.0	5.7 / 6.0	
5.2 Lift speed, with / without load (mm/s)		mm/s	–	–	120 / 190	100 / 170	130 / 200	
5.3 Lowering speed, with / without load (mm/s)		mm/s	–	–	130 / 110	110 / 110	200 / 140	
5.4 Max. gradeability, with / without load (%)		(%)	6 / 16	7 / 16	5 / 10	6 / 12		
5.5 Service brake			electric					
ELECTRIC MOTOR								
6.1 DC – drive motor (kW)		kW	0.65	0.75	0.65	1.3		
6.2 DC – lift motor (kW)		kW	0.5	0.8	2.2	1.5	3.2	
6.3 Battery acc. to DIN 43535 A/B/C/no			no					
6.4 Battery voltage, nominal capacity K5 (V/Ah)		V/Ah	24 / 20	48 / 20	24 / 60	24 / 200	24 / 300	
6.5 Battery weight (kg)			4.6	7.5	19	175	230	
6.6 Energy consumption acc. to VDI cycle (kWh/h)		kWh/h	0.22	0.18	0.8	0.95	1.59	
ADDITIONAL DATA								
8.1 Type of control for drive and lift			DC speed control			AC speed control		
8.4 Sound level at driver's ear acc. to EN12053 (db(A))		db(A)	70					

Note: Specification values quoted in this specification sheet have been rounded. Performance may vary depending on operating conditions. Products and specifications are subject to improvement and change without prior notice.

MAST SPECIFICATIONS & RATED CAPACITIES

▀ DIMENSIONS: LPM15N-7 / LPM20N-7

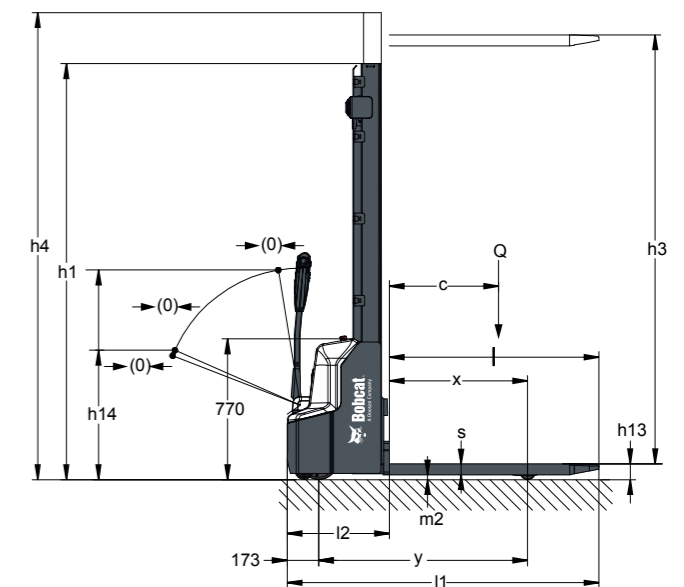
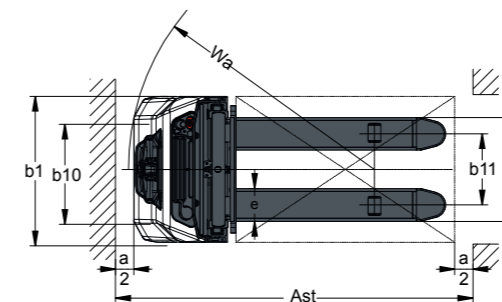


Note: Mast specifications are not available for LPM models.

LSM12N-7

MAST TYPE	MAXIMUM FORK HEIGHT (H3)	HEIGHT MAST LOWERED (H1)	HEIGHT MAST EXTENDED (H4)	FREE LIFT (H2)	LIFT + FORK HEIGHT (H3 + H13)	RESIDUAL CAPACITY
	mm	mm	mm	mm	mm	kg
SIMPLEX	1 514	1 930	1 930	1 514	1 600	1 200
	1 914	2 330	2 330	1 914	2 000	1 200
STD	2 814	1 930	3 337	–	2 900	1 000
	3 114	2 080	3 637	–	3 200	800
	3 514	2 280	4 037	–	3 600	700

▀ DIMENSIONS: LSM12N-7



Note: Mast specifications & rated capacities are based on standard chassis with dual pneumatic tire and without side shifter.

MAST SPECIFICATIONS & RATED CAPACITIES

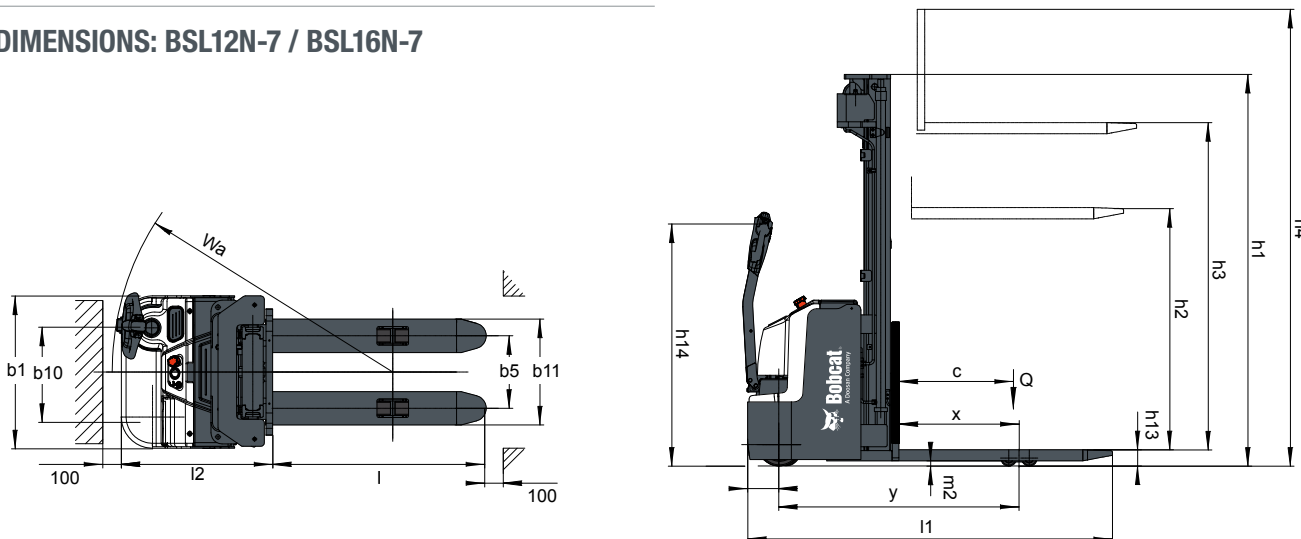
BSL12N-7

MAST TYPE	MAXIMUM FORK HEIGHT (H3)	HEIGHT MAST LOWERED (H1)	HEIGHT MAST EXTENDED (H4)	FREE LIFT (H2)	LIFT + FORK HEIGHT (H3 + H13)	RESIDUAL CAPACITY
	mm	mm	mm	mm	mm	kg
STD	2 830	1 958	3 380	–	2 920	1 000
	3 130	2 108	3 680	–	3 220	800
	3 530	2 308	4 080	–	3 620	600
FFL	3 130	2 108	3 680	1 560	3 220	800
	3 530	2 308	4 080	1 760	3 620	600
FFT	3 930	1 908	4 480	1 320	4 020	550
	4 230	2 008	4 780	1 420	4 320	500
	4 530	2 108	5 080	1 520	4 620	400

BSL16N-7

MAST TYPE	MAXIMUM FORK HEIGHT (H3)	HEIGHT MAST LOWERED (H1)	HEIGHT MAST EXTENDED (H4)	FREE LIFT (H2)	LIFT + FORK HEIGHT (H3 + H13)	RESIDUAL CAPACITY
	mm	mm	mm	mm	mm	kg
STD	2 830	1 958	3 380	–	2 920	1 400
	3 130	2 108	3 680	–	3 220	1 200
	3 530	2 308	4 080	–	3 620	1 000
FFL	3 130	2 108	3 680	1 560	3 220	1 200
	3 530	2 308	4 080	1 760	3 620	1 000
FFT	3 330	1 708	3 880	1 120	3 420	1 100
	3 930	1 908	4 480	1 320	4 020	950
	4 230	2 008	4 780	1 420	4 320	900
	4 530	2 108	5 080	1 520	4 620	800
	5 230	2 343	5 780	1 756	5 320	700
	5 430	2 408	5 980	1 820	5 520	600

► DIMENSIONS: BSL12N-7 / BSL16N-7



Note: Mast specifications & rated capacities are based on standard chassis with dual pneumatic tire and without side shifter.



Küng Stapler AG
 CH-9536 Schwarzenbach
 +41 71 929 55 44 / kuengag.ch



DOOSAN

Bobcat is a Doosan Company. Doosan is a global leader in construction equipment, power & water solutions, engines, and engineering proudly serving customers and communities for more than a century. | Bobcat and the Bobcat logo are registered trademarks of Bobcat Company in the United States and various other countries. ©2024 Bobcat Company. All Rights Reserved.

*Financing options may vary by country and dealer. Always ask your dealer about currently available financing options. Terms and conditions may apply.

Doosan Bobcat EMEA, U Kodelky 1810, 263 12 Dobříš, Czech Republic