

RX 70 Technical Data Diesel and LPG Forklift Trucks

[RX 70-20/600](#)

[RX 70-25](#)

[RX 70-30](#)

[RX 70-30 Hybrid](#)

[RX 70-35](#)

[RX 70-35 Hybrid](#)





		STILL	STILL	STILL	STILL	STILL	STILL	STILL	STILL	STILL	STILL	STILL	STILL		
Distinguishing marks	1.1	Manufacturer			STILL	STILL	STILL	STILL	STILL	STILL	STILL	STILL	STILL		
	1.2	Manufacturer's type designation			RX 70-20/600	RX 70-20/600 T	RX 70-25	RX 70-25 T	RX 70-30	RX 70-30 H	RX 70-30 T	RX 70-35	RX 70-35 H	RX 70-35 T	
	1.2.1	Manufacturer model number			7300	7306	7301	7307	7302	7303	7308	7304	7305	7309	
	1.3	Drive			Diesel	LPG	Diesel	LPG	Diesel	Diesel/Hybrid	LPG	Diesel	Diesel/Hybrid	LPG	
	1.4	Operation			Seated	Seated	Seated	Seated	Seated	Seated	Seated	Seated	Seated	Seated	
	1.5	Nominal load capacity/load	Q	kg	2000	2000	2500	2500	3000	3000	3000	3500	3500	3500	
	1.6	Load centre distance	c	mm	600	600	500	500	500	500	500	500	500	500	
	1.8	Load spacing	x	mm	455	455	455	455	475	475	475	475	475	475	
	1.9	Wheel base	y	mm	1760	1760	1760	1760	1820	1820	1820	1820	1820	1820	
Weights	2.1	Truck weight incl. battery			kg	3834	3834	3834	3834	4168	4218	4168	4460	4510	4460
	2.2	Axle loading, laden	front/rear		kg	5628/706	5628/706	5628/706	5628/706	6452/716	6482/736	6452/716	7245/715	7275/735	7245/715
	2.3	Axle loading, unladen	front/rear		kg	1790/2044	1790/2044	1790/2044	1790/2044	1865/2303	1875/2343	1865/2303	1890/2570	1900/1610	1890/2570
Tyres/chassis	3.1	Tyres				Superelastic	Superelastic	Superelastic	Superelastic	Superelastic	Superelastic	Superelastic	Superelastic	Superelastic	
	3.2	Tyre size	front			23 x 9-10	23 x 9-10	23 x 9-10	23 x 9-10	23 x 9-10	23 x 9-10	23 x 10-12	23 x 10-12	23 x 10-12	
	3.3	Tyre size	rear			21 x 8-9	21 x 8-9	21 x 8-9	21 x 8-9	21 x 8-9	21 x 8-9	21 x 8-9	21 x 8-9	21 x 8-9	
	3.5	Number of wheels (x = driven)	front/rear			2x/2	2x/2	2x/2	2x/2	2x/2	2x/2	2x/2	2x/2	2x/2	
	3.6	Track width	front/rear	b ₁₀ /b ₁₁	mm	984/920	984/920	984/920	984/920	984/920	984/920	984/920	975/920	975/920	975/920
	4.1	Tilt of mast/fork carriage	forward/backward	α/β	°	6/7	6/7	6/7	6/7	6/7	6/7	6/7	6/7	6/7	
Dimensions	4.2	Height	mast lowered	h ₁	mm	2175	2175	2175	2175	2175	2175	2175	2175	2175	
	4.3	Free lift		h ₂	mm	160	160	160	160	160	160	160	160	160	
	4.4	Lift		h ₃	mm	2970	2970	2970	2970	2970	2970	2970	2970	2970	
	4.5	Height	mast raised	h ₄	mm	3600	3600	3600	3600	3750	3750	3750	3750	3750	
	4.7	Height over overhead guard (cab)		h ₆	mm	2190	2190	2190	2190	2190	2190	2190	2195	2195	
	4.8	Seat height/stand height rel. to SIP		h ₇	mm	1074	1074	1074	1074	1074	1074	1074	1074	1074	
	4.12	Coupling height		h ₁₀	mm	425	425	425	425	425	425	425	425	425	
	4.19	Overall length		l ₁	mm	3625	3625	3625	3625	3730	3730	3730	3795	3795	
	4.20	Length including fork backs		l ₂	mm	2625	2625	2625	2625	2730	2730	2730	2795	2795	
	4.21	Overall width		b ₁	mm	1180	1180	1180	1180	1180	1180	1180	1224	1224	
	4.22	Fork dimensions		s/e/l	mm	40/100/1000	40/100/1000	40/100/1000	40/100/1000	50/100/1000	50/100/1000	50/100/1000	50/100/1000	50/100/1000	
	4.23	Fork carriage ISO 2328, Class/Form A, B				Cl. II, form A	Cl. II, form A	Cl. II, form A	Cl. II, form A	Cl. III, form A	Cl. III, form A	Cl. III, form A	Cl. III, form A	Cl. III, form A	
	4.24	Fork carriage width		b ₃	mm	1150	1150	1150	1150	1150	1150	1150	1150	1150	
	4.31	Ground clearance under mast, laden		m ₁	mm	125	125	125	125	125	125	125	125	125	
	4.32	Ground clearance, centre of wheel base		m ₂	mm	150	150	150	150	150	150	150	150	150	
	4.33	Working aisle width with pallet 1000 x 1200 crossways		A _{st}	mm	3967	3967	3967	3967	4062	4062	4062	4152	4152	
	4.34	Working aisle width with pallet 800 x 1200 lengthways		A _{st}	mm	4167	4167	4167	4167	4262	4262	4262	4352	4352	
	4.35	Turning radius		W _a	mm	2312	2312	2312	2312	2387	2387	2387	2477	2477	
4.36	Smallest pivot point distance		b ₁₃	mm	589	589	589	589	589	589	589	589	589		
Performance data	5.1	Travel speed	laden/unladen		km/h	21/21	21/21	21/21	21/21	21/21	21/21	21/21	21/21	21/21	
	5.2	Lifting speed	laden/unladen		m/s	0.57/0.60	0.53/0.55	0.55/0.60	0.53/0.55	0.50/0.53	0.55/0.55	0.48/0.50	0.43/0.53	0.48/0.55	
	5.3	Lowering speed	laden/unladen		m/s	0.60/0.53	0.60/0.53	0.60/0.53	0.60/0.53	0.60/0.53	0.60/0.53	0.60/0.53	0.60/0.53	0.60/0.53	
	5.5	Traction	laden/unladen		N	17500/12140	17500/12140	17500/12140	17500/12140	17600/12300	18300/12300	17500/12300	17400/13400	18300/13400	
	5.8	Max. gradeability	laden/unladen		%	29/26	29/26	29/26	29/26	23/24	23/24	25/24	21/20	23/20	
	5.9	Acceleration time	laden/unladen		s	5.1/4.5	5.1/4.5	5.1/4.5	5.1/4.5	5.4/4.7	5.1/4.3	5.1/4.5	5.8/5.1	5.4/4.6	
	5.10	Service brake				Electric/hydraulic	Electric/hydraulic	Electric/hydraulic	Electric/hydraulic	Electric/hydraulic	Electric/hydraulic	Electric/hydraulic	Electric/hydraulic	Electric/hydraulic	
	7.1	Engine manufacturer				VW	VW	VW	VW	VW	VW	VW	VW	VW	
	7.1.1	Type				BXT	BEF	BXT	BEF	BXT	BEF	BXT	BXT	BEF	
	7.2	Engine rating to ISO 1585			kW	30	36	30	36	30	30	38	30	30	
7.2.1	Additional power of electrical energy storage			kW	-	-	-	-	-	8	-	-	8		
7.3	Nominal speed			1/min	2600	2600	2600	2600	2600	2600	2600	2600	2600		
7.4	Number of cylinders				4	4	4	4	4	4	4	4	4		
7.4.1	Swept volume			cm ³	1900	2000	1900	2000	1900	1900	2000	1900	1900		
7.5	Fuel consumption according to VDI Cycle (60 runs/h)			l/h	2.5		2.5		3.1	2.8		3.3	2.9		
7.9	On-board voltage	U	V		12	12	12	12	12	12	12	12	12		
8.1	Drive control				Diesel-electric	Diesel-electric	Diesel-electric	Diesel-electric	Diesel-electric	Diesel-electric/hybrid	Diesel-electric	Diesel-electric	Diesel-electric/hybrid		
Miscellaneous	10.1	Working pressure for attachments		bar	250	250	250	250	250	250	250	250	250		
	10.2	Oil volume for attachments		l/min	30	30	30	30	30	30	30	30	30		
	10.4	Volume fuel tank		l/kg	58	11	58	11	58	58	11	58	11		
	10.7	Sound pressure level L _{PAZ} ¹ (driver's seat)			dB(A)	<77	<77	<77	<77	<77	<77	<77	<77	<77	
	10.7.1	Sound power level LWAZ (work cycle)			dB(A)	<99	<97	<99	<97	<99	<97	<99	<97	<97	
		Body vibrations ² in accordance with EN 13059			m/s ²	0.58	0.58	0.58	0.58	0.58	0.58	0.58	0.58	0.58	
	10.8	Towing coupler, Type/Model DIN				Pin	Pin	Pin	Pin	Pin	Pin	Pin	Pin	Pin	

¹ Without cab; different values with cab

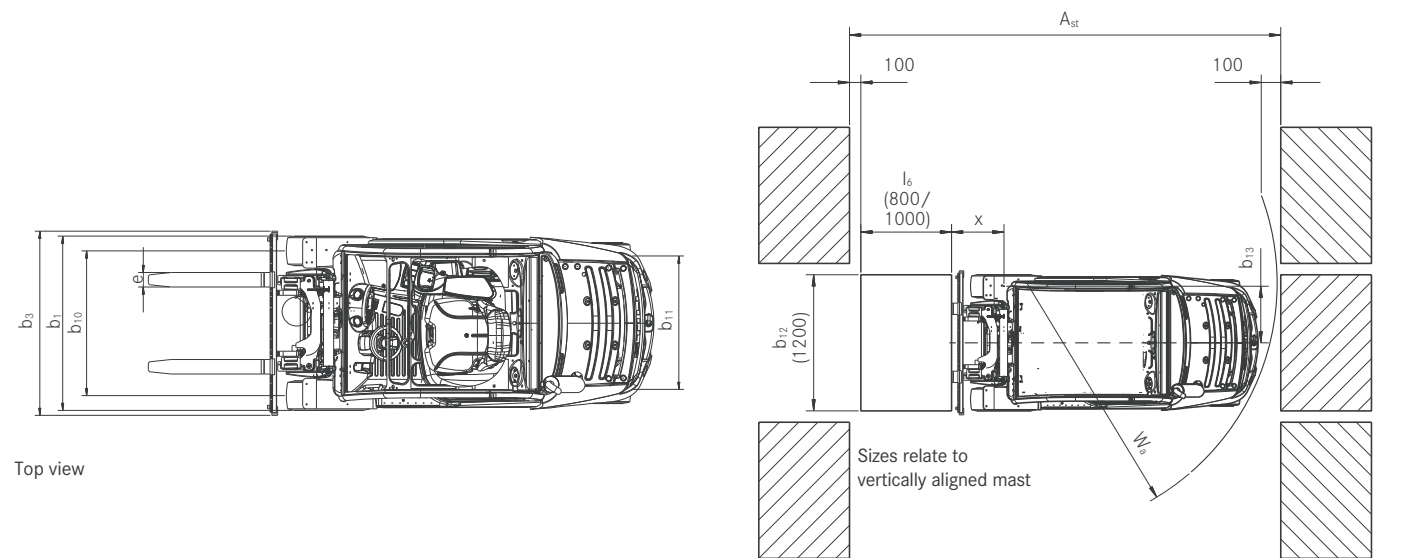
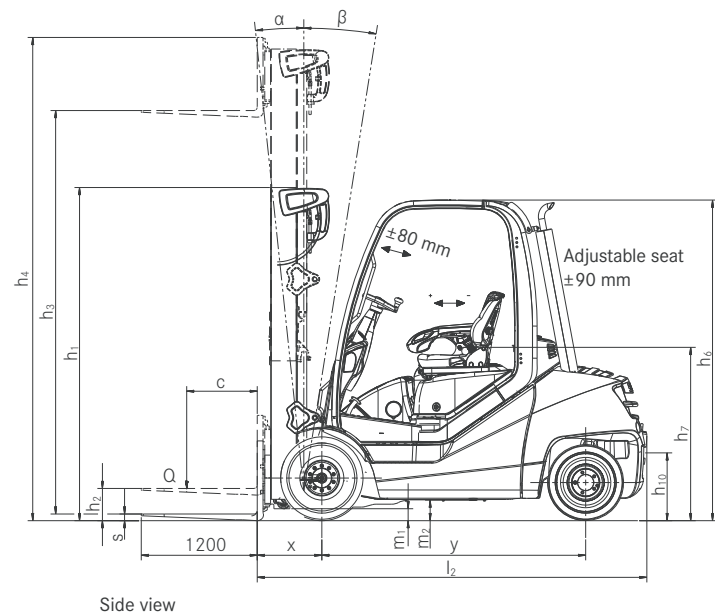
² With standard driver's seat

RX 70-20/35 Diesel and LPG Forklift Trucks
Mast Tables



			Telescopic mast								HiLo mast						Triplex mast												
			2870	2970	3170	3270	3670	4170	4570	5070	2990	3090	3290	3690	4090	4590	4440	4590	4890	5390	5690	6040	6640	7390					
RX 70-20 / 600	Nominal lift	h_3	mm	2870	2970	3170	3270	3670	4170	4570	5070	2990	3090	3290	3690	4090	4590	4440	4590	4890	5390	5690	6040	6640	7390				
	Overall height	h_1	mm	2125	2175	2275	2325	2525	2775	2975	3225	2125	2175	2275	2475	2675	2925	2125	2175	2275	2475	2575	2725	2925	3175				
	Free lift	h_2	mm	160	160	160	160	160	160	160	160	1500	1550	1650	1850	2050	2300	1500	1550	1650	1850	1950	2100	2300	2550				
	Maximum height 4 rollers fork carriage	h_4	mm	3500	3600	3800	3900	4300	4800	5200	5700	3650	3750	3950	4350	4750	5250	5120	5270	5570	6070	6370	6720	7320	8070				
	Maximum height 6 rollers fork carriage	h_4	mm	3650	3750	3950	4050	4450	4950	5350	5850	3800	3900	4100	4500	4900	5400	5270	5420	5720	6220	6520	6870	7470	8220				
	Tilt of mast/fork carriage forward/backward	α/β	°	6/7								6/7						6/7											
	Fork lock-in position centre-centre		mm	216 / 368 (telescopic, HiLo) / 521 (triplex) / 673 / 826 / 902 (fork carriage width 1150 mm) / 978 (fork carriage width 1300 mm / 1600 mm) / 1054 (fork carriage width 1300 mm) / 1130 (fork carriage width 1600 mm) / 1283 (fork carriage width 1600 mm) / 1359 (fork carriage width 1600 mm)																									
	Tyres front/rear			23 x 9-10/21 x 8-9								23 x 9-10/21 x 8-9						23 x 9-10/21 x 8-9											
	Track front/rear	b_{10}/b_{11}	mm	984/920								984/920						984/920						1048/920					
	Maximum width	b_1	mm	1180								1180						1180						1280					
RX 70-25	Nominal lift	h_3	mm	2870	2970	3170	3270	3670	4170	4570	5070	2990	3090	3290	3690	4090	4590	4440	4590	4890	5390	5690	6040	6640	7390				
	Overall height	h_1	mm	2125	2175	2275	2325	2525	2775	2975	3225	2125	2175	2275	2475	2675	2925	2125	2175	2275	2475	2575	2725	2925	3175				
	Free lift	h_2	mm	160	160	160	160	160	160	160	160	1500	1550	1650	1850	2050	2300	1500	1550	1650	1850	1950	2100	2300	2550				
	Maximum height 4 rollers fork carriage	h_4	mm	3500	3600	3800	3900	4300	4800	5200	5700	3650	3750	3950	4350	4750	5250	5120	5270	5570	6070	6370	6720	7320	8070				
	Maximum height 6 rollers fork carriage	h_4	mm	3650	3750	3950	4050	4450	4950	5350	5850	3800	3900	4100	4500	4900	5400	5270	5420	5720	6220	6520	6870	7470	8220				
	Tilt of mast/fork carriage forward/backward	α/β	°	6/7								6/7						6/7											
	Fork lock-in position centre-centre		mm	216 / 368 (telescopic, HiLo) / 521 (triplex) / 673 / 826 / 902 (fork carriage width 1150 mm) / 978 (fork carriage width 1300 mm / 1600 mm) / 1054 (fork carriage width 1300 mm) / 1130 (fork carriage width 1600 mm) / 1283 (fork carriage width 1600 mm) / 1359 (fork carriage width 1600 mm)																									
	Tyres front/rear			23 x 9-10/21 x 8-9								23 x 9-10/21 x 8-9						23 x 9-10/21 x 8-9											
	Track front/rear	b_{10}/b_{11}	mm	984/920								984/920						984/920						1048/920					
	Maximum width	b_1	mm	1180								1180						1180						1280					
RX 70-30	Nominal lift	h_3	mm	2870	2970	3170	3270	3670	4170	4570	5070	2990	3090	3290	3690	4090	4590	4440	4590	4890	5190	5390	5690	6040	6640	7390			
	Overall height	h_1	mm	2125	2175	2275	2325	2525	2775	2975	3225	2125	2175	2275	2475	2675	2925	2125	2175	2275	2375	2475	2575	2725	2925	3175			
	Free lift	h_2	mm	160	160	160	160	160	160	160	160	1470	1520	1620	1820	2020	2270	1470	1520	1620	1720	1820	1920	2070	2270	2520			
	Maximum height 4 rollers fork carriage	h_4	mm	-	-	-	-	-	-	-	-	3680	3780	3980	4380	4780	5280	5140	5290	5590	5890	6090	6390	6740	7340	8090			
	Maximum height 6 rollers fork carriage	h_4	mm	3650	3750	3950	4050	4450	4950	5350	5850	3800	3900	4100	4500	4900	5400	5270	5420	5720	6020	6220	6520	6870	7470	8220			
	Tilt of mast/fork carriage forward/backward	α/β	°	6/7								6/7						6/7											
	Fork lock-in position centre-centre		mm	267 / 673 / 876 / 1080 (fork carriage width 1300 mm / 1600 mm) / 1384 (fork carriage width 1600 mm)																									
	Tyres front/rear			23 x 9-10/21 x 8-9								23 x 9-10/21 x 8-9						23 x 9-10/21 x 8-9			23 x 10-12/21 x 8-9			315/45-12/21 x 8-9					
	Track front/rear	b_{10}/b_{11}	mm	984/920								984/920						984/920			1048/920			1100/920					
	Maximum width	b_1	mm	1180								1180						1180			1280			1385					
RX 70-35	Nominal lift	h_3	mm	2870	2970	3170	3270	3670	4170	4570	5070	2990	3090	3290	3690	4090	4590	4440	4590	4890	5190	5390	5690	6040	6640	7390			
	Overall height	h_1	mm	2125	2175	2275	2325	2525	2775	2975	3225	2125	2175	2275	2475	2675	2925	2125	2175	2275	2375	2475	2575	2725	2925	3175			
	Free lift	h_2	mm	160	160	160	160	160	160	160	160	1470	1520	1620	1820	2020	2270	1470	1520	1620	1720	1820	1920	2070	2270	2520			
	Maximum height 4 rollers fork carriage	h_4	mm	-	-	-	-	-	-	-	-	3680	3780	3980	4380	4780	5280	5140	5290	5590	5890	6090	6390	6740	7340	8090			
	Maximum height 6 rollers fork carriage	h_4	mm	3650	3750	3950	4050	4450	4950	5350	5850	3800	3900	4100	4500	4900	5400	5270	5420	5720	6020	6220	6520	6870	7470	8220			
	Tilt of mast/fork carriage forward/backward	α/β	°	6/7								6/7						6/7											
	Fork lock-in position centre-centre		mm	267 / 673 / 876 / 1080 (fork carriage width 1300 mm / 1600 mm) / 1384 (fork carriage width 1600 mm)																									
	Tyres front/rear			23 x 10-12/21 x 8-9								23 x 10-12/21 x 8-9						23 x 10-12/21 x 8-9			315/45-12/21 x 8-9								
	Track front/rear	b_{10}/b_{11}	mm	975/920								1048/920						975/920			1048/920			1100/920					
	Maximum width	b_1	mm	1224								1280						1224			1280			1385					

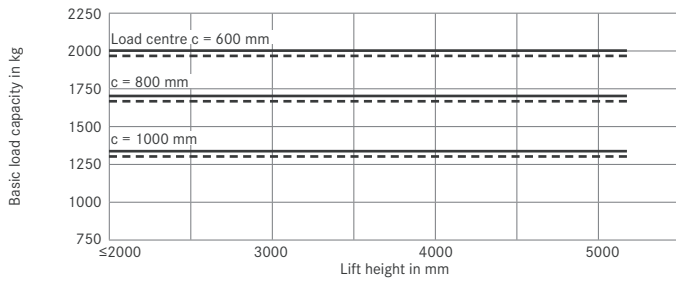
Technical Drawings



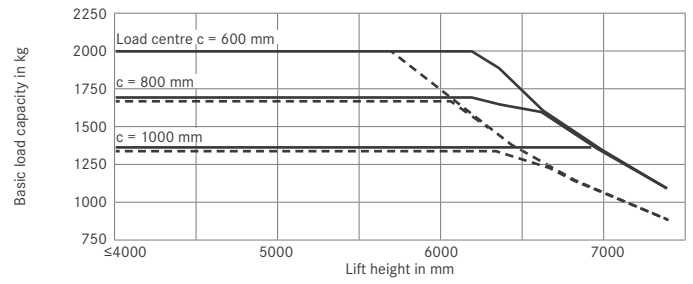
RX 70-20/35 Diesel and LPG Forklift Trucks

Basic Load Capacities

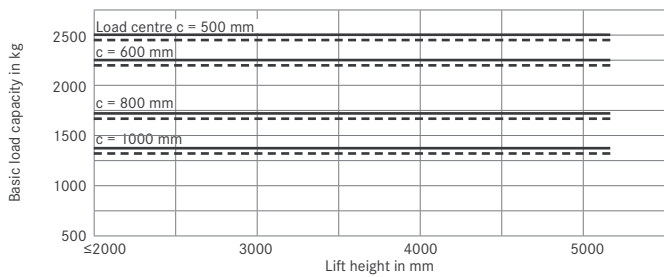
RX 70-20/600 Telescopic and HiLo mast
Single Superelastic tyres



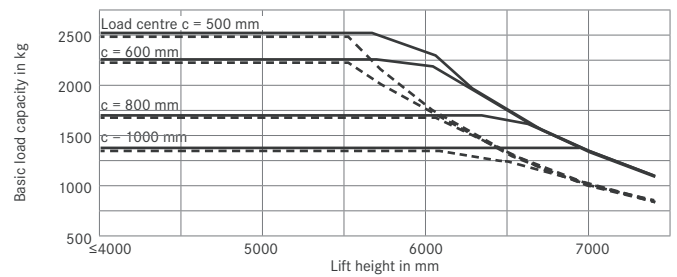
RX 70-20/600 Triplex mast
Single Superelastic tyres



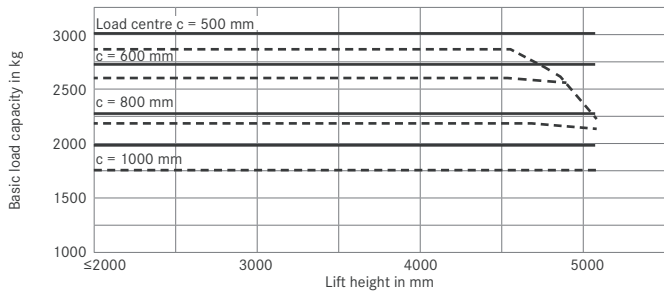
RX 70-25 Telescopic and HiLo mast
Single Superelastic tyres



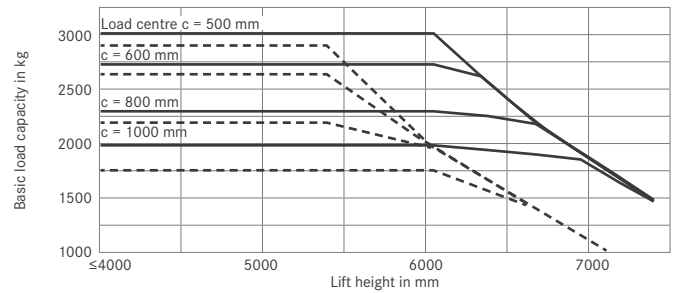
RX 70-25 Triplex mast
Single Superelastic tyres



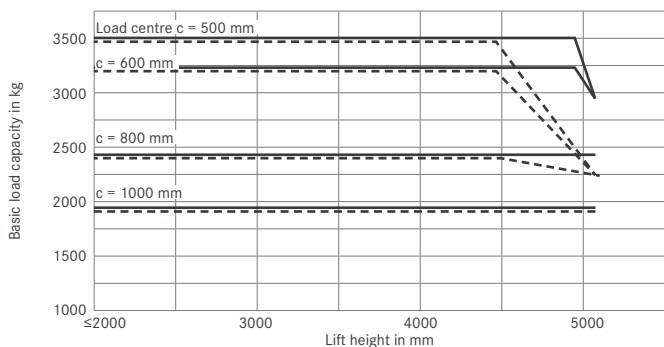
RX 70-30 Telescopic and HiLo mast
Single Superelastic tyres



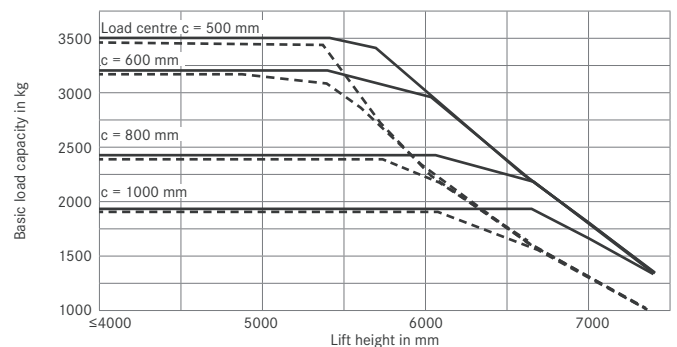
RX 70-30 Triplex mast
Single Superelastic tyres



RX 70-35 Telescopic and HiLo mast
Single Superelastic tyres



RX 70-35 Triplex mast
Single Superelastic tyres



— With standard forks - - - With integrated side shifter and standard forks
The values indicated may vary depending on the truck's features

RX 70-20/35 Diesel and LPG Forklift Trucks
Detailed Photos



Extra safety with Safety Light 4Plus and LED lighting



Communication interface: radio with USB port and Bluetooth handsfree set



Excellent visibility looking forwards thanks to clear-view mast and low dash panel



Convenient and precise hydraulic operation with Joystick 4Plus



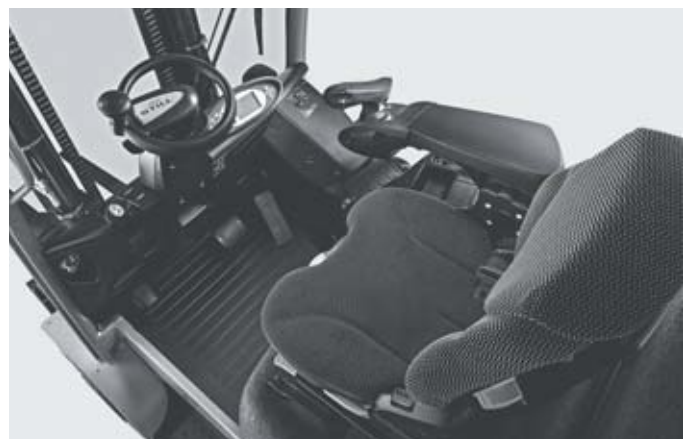
Clever energy-saving features thanks to the hybrid drive



Storage compartments with 12 V socket, e.g. to charge a mobile phone



Large and wide footwell as well as an unrestricted entry and exit area



Spacious and comfortable driver's cab



RX 70-20/35 Diesel and LPG Forklift Trucks

Saving energy has never been easier

Safety by nature – particularly stable driving behaviour due to truck's low centre of gravity

Diesel-electric drive with hybrid technology – most efficient forklift in its class: only 2.5 l/h

Excellent visibility, partly due to the narrow mast design



With a lifting capacity of 2.0 to 3.5 tonnes, the RX 70 stands out not just because of its wide field of vision, compact dimensions, and precise and sensitive ease of use – it is also a milestone in sustainability. Thanks to the diesel-electric drive, all RX 70 forklifts are unbeatable for energy-efficiency. That also applies to the multi-award-winning RX 70 hybrid: this hybrid truck obtains its fuel firstly from a diesel tank and secondly from electrical energy stores, the Ultra-Caps.

The electrical current generated when braking is stored in these dual layer capacitors and then made available for driving or lifting procedures. This reduces the fuel consumption by up to 20 per cent – with the same performance! And lower fuel consumption also means lower CO₂ emissions. Discover the new generation of smart energy saving. The RX 70 Hybrid will pay dividends.

Extensive Equipment

Power

- Can lift up to 3.5 tonnes with a load centre of 500 mm
- Move goods effectively: driving speed of up to 21 km/h
- Power meets endurance: maintenance-free rotary current drive
- Perfect power control: electrically adjustable hydraulic pump

Precision

- Select maximum turnover or maximum efficiency: with 5 driving programmes you stay flexible at all times
- Adjustable to suit every task: speed, acceleration and braking can all be individually set
- The latest hydraulic technology for particularly sensitive and precise load handling

Ergonomics

- Comfortable workstation: spacious, comfortable driver's cab that can be individually set up and offering numerous storage compartments
- Welcome home: standard, easy-to-use operating concept across the whole RX product line
- Simple and safe: entry and exit via large non-slip steps that are also visible from above, and grab handles on the protective roof.
- Choose from a range of individual control concepts: mini-lever, Fingertip or Joystick 4Plus
- High degree of driving comfort: comfortable and health-orientated driving due to very low human vibration values

Compactness

- Ideal in the smallest of spaces: compact truck dimensions and very high manoeuvrability allow for optimum use of warehouse space

Safety

- Perfect all-round view: large viewing window, also in the protective roof
- Transport loads safely: narrow mast profile and low tilt cylinder give uninterrupted view of prongs and fork carriage
- Extremely stable: truck has low centre of gravity
- Stays firmly on track: outstanding driving stability when turning

Environmental Responsibility

- Low operating costs: low fuel consumption and long service intervals
- Sustainable: very low CO₂ emissions
- Strong and intelligent: Blue-Q efficiency mode saves up to 10 percent energy at the press of a button with no loss of performance
- Recyclable: over 95 per cent of all installed materials are recyclable

RX 70-20/35 Diesel and LPG Forklift Trucks
Equipment Variants



	RX 70-20/600	RX 70-20/600 T ¹	RX 70-25	RX 70-25 T ¹	RX 70-30	RX 70-30 H ²	RX 70-30 T ¹	RX 70-35	RX 70-35 H ²	RX 70-35 T ¹
Driver's seat										
Impact-absorbing driver's seat for optimal comfort on uneven routes	●	●	●	●	●	●	●	●	●	●
Steel protective roof	●	●	●	●	●	●	●	●	●	●
Driver's cab set low, height approx. 2120 mm	○	○	○	○	○	○	○	○	○	○
Driver's cab set high, height approx. 2540 mm	—	—	—	○	—	—	○	—	—	○
Weather protection design in different variants	○	○	○	○	○	○	○	○	○	○
Driver's cab or tarpaulin cab	○	○	○	○	○	○	○	○	○	○
Tinted front windscreen, rear and roof windows, windscreen washing/wiping facility	○	○	○	○	○	○	○	○	○	○
Single-pedal transmission control	●	●	●	●	●	●	●	●	●	●
Double-pedal transmission control	○	○	○	○	○	○	○	○	○	○
Built-in storage and drink holder	●	●	●	●	●	●	●	●	●	●
Display and function buttons protected from water spray	●	●	●	●	●	●	●	●	●	●
Grammer driver's seat with leatherette cover	●	●	●	●	●	●	●	●	●	●
Comfort driver's seat with textile cover and lumbar support	○	○	○	○	○	○	○	○	○	○
Swivel seat for a healthy body posture when reversing	○	○	○	○	○	○	○	○	○	○
Driver's seat excl. with leatherette or textile cover, mechanical or airsprung, extra-wide seat pad, large suspension travel, lumbar support, height-adjustable back extension and heated seat	○	○	○	○	○	○	○	○	○	○
Horizontal spring plate for driver's seat to minimise human vibrations	○	○	○	○	○	○	○	○	○	○
Roof liner with interior lighting	○	○	○	○	○	○	○	○	○	○
Bluetooth radio with USB connector	○	○	○	○	○	○	○	○	○	○
Adjustable roof window	○	○	○	○	○	○	○	○	○	○
Protective sunshade and sun blind	○	○	○	○	○	○	○	○	○	○
Water heating with blower and defroster nozzles for front windscreen and footwell	○	○	○	○	○	○	○	○	○	○
Air conditioning	○	○	○	○	○	○	○	○	○	○
Mast										
Telescopic free view mast with and without full free lift	○	○	○	○	○	○	○	○	○	○
Triplex mast	○	○	○	○	○	○	○	○	○	○
Fork wear protection	○	○	○	○	○	○	○	○	○	○
Different fork carriage widths and integrated side shifter	○	○	○	○	○	○	○	○	○	○
Load backrest	○	○	○	○	○	○	○	○	○	○
Automatic mast vertical position	○	○	○	○	○	○	○	○	○	○
Hydraulic accumulator in the lifting cylinder to attenuate pressure peaks in the hydraulic system	○	○	○	○	○	○	○	○	○	○
Tilt of mast 6/7° forward/backward	●	●	●	●	●	●	●	●	●	●
Bellows protect the tilt cylinder from dust and moisture	○	○	○	○	○	○	○	○	○	○
Tyres										
Superelastic tyres, SIT system, single or twin	●	●	●	●	●	●	●	●	●	●
Superelastic tyres, SIT system, natural colour or anti-static	○	○	○	○	○	○	○	○	○	○
Pneumatic tyres, single or twin	○	○	○	○	○	○	○	○	○	○
Hydraulics										
Proportional valve technology for especially sensitive movements	●	●	●	●	●	●	●	●	●	●
Up to three hydraulic circuits for controlling accessories	○	○	○	○	○	○	○	○	○	○
Custom parametrisation of hydraulic functions	●	●	●	●	●	●	●	●	●	●
Mini-lever with armrest, two levers	●	●	●	●	●	●	●	●	●	●
Mini-lever with armrest, three or four levers	○	○	○	○	○	○	○	○	○	○
Joystick 4Plus or Fingertip	○	○	○	○	○	○	○	○	○	○
Drives										
Five driving programmes for different driving and braking behaviour	●	●	●	●	●	●	●	●	●	●
Blue-Q energy-saving mode	●	●	●	●	●	●	●	●	●	●
Smooth acceleration and reversing	●	●	●	●	●	●	●	●	●	●
Maintenance-free drives for driving, steering and lifting	●	●	●	●	●	●	●	●	●	●
Travel and lift drive components enclosed to protect against dust and dirt	●	●	●	●	●	●	●	●	●	●
Dry air filter with maintenance indicator	●	●	●	●	●	●	●	●	●	●
Additional air filter or cyclone pre-separator	○	○	○	○	○	○	○	○	○	○
Gas forklift with LPG cylinders	—	●	—	●	—	—	●	—	—	●
LPG tanks 40/55/70 l	—	○	—	○	—	—	○	—	—	○
Automatic motor shutdown	○	○	○	○	○	○	○	○	○	○
Motor preheating via external power connection	○	○	○	○	○	○	○	○	○	○
Regulated 3-way catalytic converter	—	○	—	○	—	—	○	—	—	○
Diesel particle filter	○	—	○	—	○	—	○	—	○	—
Brake										
Wear-free disc brakes that run in an oil bath	●	●	●	●	●	●	●	●	●	●
Energy recovery when braking	●	●	●	●	●	●	●	●	●	●
Hydraulic parking brake	●	●	●	●	●	●	●	●	●	●
Safety										
Forklift has a low centre of gravity and steering axle with high self-aligning bearing for optimum levels of safety	●	●	●	●	●	●	●	●	●	●
Simple and safe entry and exit via large non-slip steps	●	●	●	●	●	●	●	●	●	●
Protective grille roof	○	○	○	○	○	○	○	○	○	○
Narrow protective roof profile for an optimum all-round view	●	●	●	●	●	●	●	●	●	●
Easybelt restraint system for quick and safe fastening and unfastening	○	○	○	○	○	○	○	○	○	○
IWS restraint system with strap opening located on both sides	○	○	○	○	○	○	○	○	○	○
Lighting system in halogen or LED design, approvable	○	○	○	○	○	○	○	○	○	○
Working lights in halogen or LED design	○	○	○	○	○	○	○	○	○	○
Roof window in rear protective roof area, improved visibility when reversing	●	●	●	●	●	●	●	●	●	●
STILL Safety Light warning device, illuminated blue	○	○	○	○	○	○	○	○	○	○
Seat belt control, drive unit only enabled when seat belt is fastened	○	○	○	○	○	○	○	○	○	○
Speed limiter adjustable by driver	○	○	○	○	○	○	○	○	○	○
Tempomat cruise control	○	○	○	○	○	○	○	○	○	○
Load measuring with ±2 per cent precision	○	○	○	○	○	○	○	○	○	○
FleetManager: access authorisation, shock detection, reports	○	○	○	○	○	○	○	○	○	○

¹ LPG
² Hybrid
● Standard ○ Option — Not available

STILL



STILL Materials Handling Ltd
Aston Way
Leyland Preston
PR26 7UX
Tel.: +44 (0)845 603 6827

STILL Materials Handling Ltd
Jacks Way
Hill Barton
Business Park
Clyst St. Mary
Exeter
EX5 1FG
Tel.: +44 (0)345 603 6827
info@still.co.uk
For further information please visit:
www.still.co.uk



STILL is certified in the following areas: Quality management, occupational safety, environmental protection and energy management.



first in intralogistics