

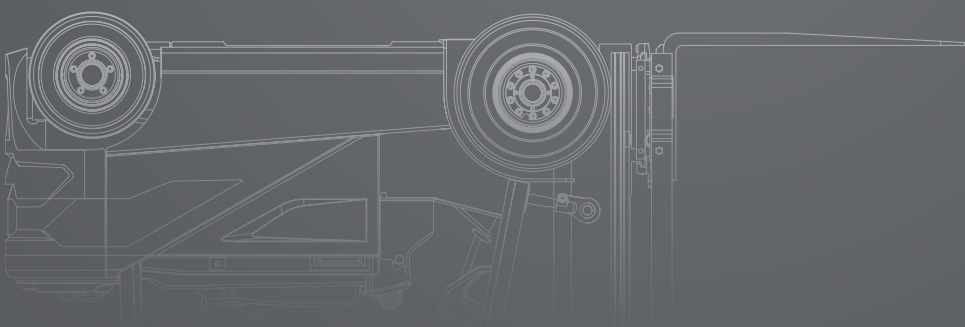
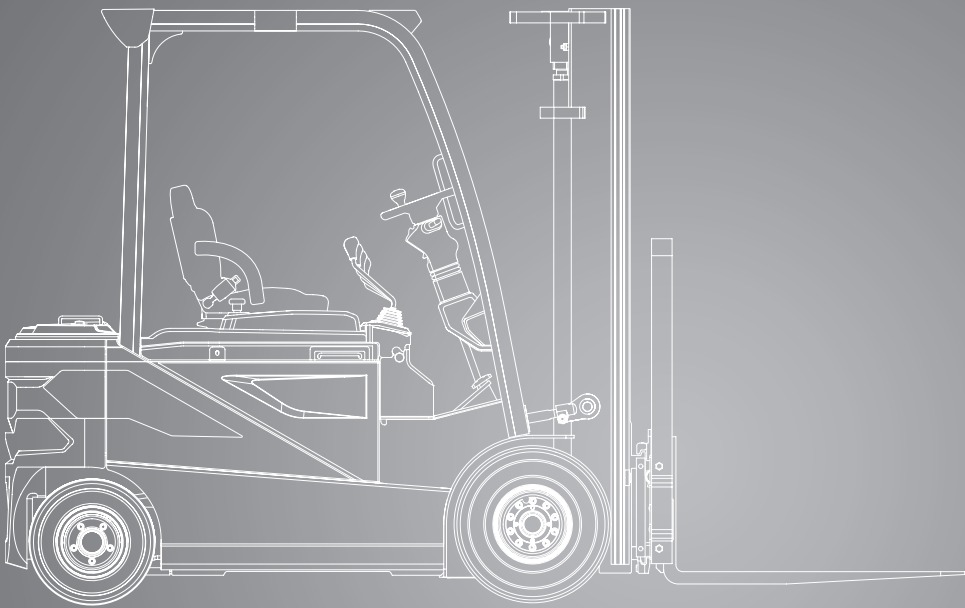


SE25/30(s)/35

80V Electric 4 wheel Lift Trucks

Superelastic Tyres

2500 kg 3000 kg 3500 kg



LI-ION

www.clarkmheu.com

SPECIFICATIONS

Product Specifications acc. to VDI 2198

1.1 Manufacturer (Abbreviation)		CLARK	CLARK	
Specifications	1.2 Manufacturer's designation	SE25	SE30s	
	1.3 Drive unit	Electric-80V	Electric-80V	
	1.4 Operator type stand on/driver seated	Rider-seated	Rider-seated	
	1.5 Load capacity/rated load Q (kg)	2500	3000	
	1.6 Load centre distance c (mm)	500	500	
	1.8 Load centre distance, centre of drive axle to fork face x (mm)	424	434	
	1.9 Wheelbase y (mm)	1610	1610	
	Weight	2.1 Service weight kg	4571 (4487)	4921 (4836)
		2.2 Axle loading, laden front/rear kg	6118/853 (6083/903)	6932/988 (6898/939)
2.3 Axle loading, unladen front/rear kg		2183/2388 (2149/2338)	2192/2729 (2157/2679)	
Tyres, Chassis	3.1 Tyre type, SE = superelastic, C = cushion	SE	SE	
	3.2 Tyre size, front, superelastic	23 x 9 - 10	23 x 9 - 10	
	3.3 Tyre size, rear, superelastic	18 x 7 - 8	18 x 7 - 8	
	3.5 Wheels, number front/rear (x = drive wheels)	2 x/2	2 x/2	
	3.6 Tread, front SE (C) b10 (mm)	1069	1069	
	3.7 Tread, rear b11 (mm)	973	973	
	Dimensions	4.1 Tilt of upright/fork carriage, a/b deg	8/8	8/8
4.2 Height, upright lowered h1 (mm)		2165	2165	
4.3 Freelif h2 (mm)		110	110	
4.4 Lift height *1 h3 (mm)		3300	3300	
4.5 Height, upright extended (with load backrest) h4 (mm)		4520	4520	
4.7 Height overheadguard (Cabin) h6 (mm)		2212 (2238)	2212 (2238)	
4.8 Seat height h7 (mm)		1150	1151	
4.12 Coupling height h10 (mm)		530	530	
4.19 Overall length l1 (mm)		3418	3443	
4.20 Length to face of forks l2 (mm)		2351	2376	
4.21 Width b1 (mm)		1274	1274	
4.22 Fork dimensions s*e*1 (mm)		45 x 100 x 1067	45 x 122 x 1067	
4.23 Fork carriage DIN 15173, A, B		II A	III A	
4.24 Fork carriage width b3 (mm)		1040	1040	
4.31 Ground clearance minimum, laden m1 (mm)		135	135	
4.32 Ground clearance centre of wheelbase m2 (mm)		110	110	
4.34 Stacking aisle for pallets (l6 • b12) 1000x1200 across Ast (mm)		3672	3672	
4.34 Stacking aisle for pallets (l6 • b12) 800x1200 along Ast (mm)		3800	3800	
4.35 Turning radius Wa (mm)	1943	1943		
4.36 Internal Turning radius b13 (mm)	-	-		
Performance	5.1 Travel speed laden/unladen km/h	19/20	19/20	
	5.2 Lift speed laden/unladen m/s	0.38/0.50	0.34/0.50	
	5.3 Lowering speed laden/unladen m/s	0.54/0.47	0.50/0.47	
	5.6 Max. drawbar pull laden/unladen (S2 5 min) *2 N	20427/10562	20536/10623	
	5.8 max. gradeability laden/unladen (S2 5 min) *2 %	32.2/24.7	28.1/23.8	
	5.10 Service brake	Wet-disc	Wet-disc	
Drive line	6.1 Drive motor rating (S2 60 min) kW	2 x 9.0	2 x 9.0	
	6.2 Lift motor rating (S3 15 %) kW	19.7	19.7	
	6.3 Battery acc. to DIN43531/35/36	DIN43536A	DIN43536A	
	6.4 Battery voltage, nominal capacity K5 V/Ah	80/620	80/620	
	6.4.1 Battery voltage, nominal capacity K5 Li-Ion V/Ah	80/560	80/560	
	6.5 Battery weight (min) kg	1642 (1558)	1642 (1558)	
Misc.	8.1 Type of control	AC/Inverter	AC/Inverter	
	8.2 Operating pressure for attachments kg/cm2	adjustable	adjustable	
	8.4 Sound level, driver's ear*3 dB (A)	70	70	

*1 Further lift heights see upright table

*2 At friction coefficient $\mu=0.8$ with 1.6 km/h

*3 acc. to DIN EN 12053

All values shown are for standard lift truck with standard equipment. If the truck is supplied with options, values may change. All values given may vary + 5 % and - 10 % due the motor and system tolerances and represent nominal values obtained under typical operating conditions. Specifications for Non-emission limited truck.

SPECIFICATIONS

Product Specifications acc. to VDI 2198

1.1 Manufacturer (Abbreviation)		CLARK	CLARK		
Specifications	1.2 Manufacturer's designation	SE30	SE35		
	1.3 Drive unit	Electric-80V	Electric-80V		
	1.4 Operator type stand on/driver seated	Rider-seated	Rider-seated		
	1.5 Load capacity/rated load	Q (kg)	3000	3500	
	1.6 Load centre distance	c (mm)	500	500	
	1.8 Load centre distance, centre of drive axle to fork face	x (mm)	434	439	
	1.9 Wheelbase	y (mm)	1750	1750	
	Weight	2.1 Service weight	kg	5161 (5043)	5578 (5462)
		2.2 Axle loading, laden front/rear	kg	6987/1174 (6938/1106)	7793/1285 (7744/1218)
2.3 Axle loading, unladen front/rear		kg	2386/2775 (2336/2707)	2415/3163 (2366/3096)	
Tyres, Chassis	3.1 Tyre type, SE = superelastic, C = cushion		SE	SE	
	3.2 Tyre size, front, superelastic		23 x 9 - 10	23 x 10 - 12	
	3.3 Tyre size, rear, superelastic		18 x 7 - 8	18 x 7 - 8	
	3.5 Wheels, number front/rear (x = drive wheels)		2 x / 2	2 x / 2	
	3.6 Tread, front SE (C)	b10 (mm)	1069	1110	
	3.7 Tread, rear	b11 (mm)	973	973	
	Dimensions	4.1 Tilt of upright/fork carriage, a/b	deg	8/8	8/8
4.2 Height, upright lowered		h1 (mm)	2165	2165	
4.3 Freelift		h2 (mm)	110	115	
4.4 Lift height *1		h3 (mm)	3300	3165	
4.5 Height, upright extended (with load backrest)		h4 (mm)	4520	4395	
4.7 Height overheadguard (Cabin)		h6 (mm)	2212 (2238)	2212 (2238)	
4.8 Seat height		h7 (mm)	1151	1151	
4.12 Coupling height		h10 (mm)	530	530	
4.19 Overall length		l1 (mm)	3568	3648	
4.20 Length to face of forks		l2 (mm)	2501	2581	
4.21 Width		b1 (mm)	1274	1353	
4.22 Fork dimensions		s*e*l (mm)	45 x 122 x 1067	50 x 125 x 1067	
4.23 Fork carriage DIN 15173, A, B			III A	III A	
4.24 Fork carriage width		b3 (mm)	1040	1045	
4.31 Ground clearance minimum, laden		m1 (mm)	135	135	
4.32 Ground clearance centre of wheelbase		m2 (mm)	110	110	
4.34 Stacking aisle for pallets (l6 • b12) 1000x1200 across	Ast (mm)	3821	3901		
4.34 Stacking aisle for pallets (l6 • b12) 800x1200 along	Ast (mm)	3949	4029		
4.35 Turning radius	Wa (mm)	2078	2108		
4.36 Internal Turning radius	b13 (mm)	-	-		
Performance	5.1 Travel speed laden/unladen	km/h	19/20	19/20	
	5.2 Lift speed laden/unladen	m/s	0.34/ 0.50	0.30/ 0.50	
	5.3 Lowering speed laden/unladen	m/s	0.50/ 0.47	0.53/ 0.50	
	5.6 Max. drawbar pull laden/unladen (S2 5 min) *2	N	20574/10827	21055/12753	
	5.8 max. gradeability laden/unladen (S2 5 min) *2	%	29.6/25	25/24	
	5.10 Service brake		Wet-disc	Wet-disc	
Drive line	6.1 Drive motor rating (S2 60 min)	kW	2 x 9.0	2 x 9.0	
	6.2 Lift motor rating (S3 15 %)	kW	19.7	19.7	
	6.3 Battery acc. to DIN43531/35/36		DIN43536A	DIN43536A	
	6.4 Battery voltage, nominal capacity K5	V/Ah	80/775	80/775	
	6.4.1 Battery voltage, nominal capacity K5 Li-Ion	V/Ah	80/560	80/560	
	6.5 Battery weight (min)	kg	1990 (1873)	1990 (1873)	
Misc.	8.1 Type of control		AC / Inverter	AC / Inverter	
	8.2 Operating pressure for attachments	kg/cm2	adjustable	adjustable	
	8.4 Sound level, driver's ear*3	dB (A)	70	70	

*1 Further lift heights see upright table

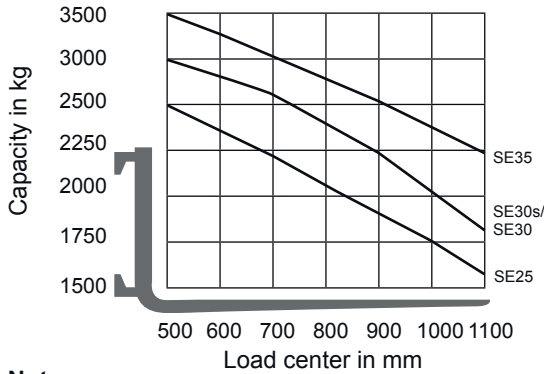
*2 At friction coefficient $\mu=0.8$ with 1.6 km/h

*3 acc. to DIN EN 12053

All values shown are for standard lift truck with standard equipment. If the truck is supplied with options, values may change. All values given may vary + 5 % and - 10 % due the motor and system tolerances and represent nominal values obtained under typical operating conditions. Specifications for Non-emission limited truck.

GENERAL DATA

Truck Capacities Capacity at different load centres



Note:

The listed capacities are valid only for the standard upright in vertical position with standard fork carriage and standard forks, up to max. lifting height of 3300 mm. The centre of gravity of the load may be displaced by max. 100 mm against the longitudinal centre plane of the truck. Load centre is determined from top and front face of the forks. The values are based on a 1000 mm cube load configuration with the centre of gravity at the true centre of the cube with upright tilted forward lower capacity values are valid. Attachments, longer forks, exceptional load dimensions and higher lifting heights can reduce the capacity.

Please talk to your CLARK dealer if you require further information.

Upright table SE 35

Type	Maximum Fork Height (h3)	Mast Lowered (h1)	Mast Extended (h4)		Free lift (h2)	
			with load backrest	without load backrest	with load backrest	without load backrest
	mm	mm	mm	mm	mm	mm
STD	1985	1575	3215	2662	115	115
	2845	2005	4075	3522		
	3165	2165	4395	3842		
	3365	2305	4595	4042		
	3590	2455	4819	4266		
	3725	2530	4955	4402		
	4030	2800	5255	4702		
	4245	3000	5471	4918		
	4485	3230	5711	5158		
	5035	3495	6261	5708		
TSU	4140	2005	5369	4836	786	1319
	4620	2165	5839	5306	946	1479
	4800	2165	6019	5486	946	1479
	5030	2305	6259	5726	1086	1619
	5340	2455	6569	6036	1236	1769
	5560	2530	6789	6456	1311	1844
	5920	2690	7149	6616	1471	2004
	6190	2800	7419	6886	1581	2114
	6650	3000	7879	7346	1781	2314
	7315	3230	8364	7831	2011	2544

Upright table SE 25

Type	Maximum Fork Height (h3)	Mast Lowered (h1)	Mast Extended (h4)		Free lift (h2)	
			with load backrest	without load backrest	with load backrest	without load backrest
	mm	mm	mm	mm	mm	mm
STD	2120	1575	3340	2718	110	110
	2980	2005	4200	3578		
	3300	2165	4520	3898		
	3500	2305	4720	4098		
	3725	2455	4944	4322		
	3860	2530	5080	4458		
	4165	2800	5384	4762		
	4380	3000	5600	4978		
	4620	3230	5840	5218		
	5170	3495	6390	5768		
TSU	4320	2005	5539	4943	786	1382
	4600	2100	5819	5223	881	1477
	4800	2165	6019	5423	946	1542
	5210	2305	6429	5833	1086	1682
	5520	2455	6739	6143	1236	1832
	5740	2530	6959	6363	1311	1907
	6100	2690	7319	6723	1471	2067
	6370	2800	7589	6993	1581	2177
	6830	3000	8049	7453	1781	2377
	7315	3230	8534	7938	2011	2607
HI-LO	2935	2005	4155	3627	786	1314
	3255	2165	4475	3947	946	1474
	3530	2305	4750	4222	1086	1614
	3760	2455	4980	4452	1236	1764
	3910	2530	5128	4600	1311	1839

Upright table SE 30s/30

Type	Maximum Fork Height (h3)	Mast Lowered (h1)	Mast Extended (h4)		Free lift (h2)	
			with load backrest	without load backrest	with load backrest	without load backrest
	mm	mm	mm	mm	mm	mm
STD	2020	1575	3340	2787	110	110
	2980	2005	4200	3647		
	3300	2165	4520	3967		
	3500	2305	4720	4167		
	3725	2455	4944	4391		
	3860	2530	5080	4527		
	4165	2800	5384	4831		
	4380	3000	5600	5047		
	4620	3230	5840	5287		
	5170	3495	6390	5837		
TSU	4140	2005	5354	4821	786	1319
	4620	2165	5839	5306	946	1479
	4800	2165	6019	5486	946	1479
	5030	2305	6244	5726	1086	1619
	5340	2455	6554	6021	1236	1769
	5560	2530	6774	6241	1311	1844
	5920	2690	7134	6601	1471	2004
	6190	2800	7404	6871	1581	2114
	6650	3000	7864	7331	1781	2314
	7135	3230	8349	7816	2011	2544
HI-LO	2935	2005	4155	3627	786	1314
	3255	2165	4475	3947	946	1474
	3530	2305	4750	4222	1086	1614
	3910	2530	5128	4600	1311	1839

Note: Performance may vary + 5 % and - 10 % due to motor and system efficiency tolerance. The performance shown represents nominal values which may be obtained under typical operating conditions of a machine. CLARK products and specifications are subject to change without notice.

PRODUCT DESCRIPTION



The CLARK electric forklift trucks in the SE25-35 series offer performance, safety and ergonomics. The electric counterbalance trucks keep your logistics moving - without harmful emissions. With our advanced SMART display, which informs the operator of all important driving parameters, the two powerful, low-noise drive motors and a design that is built to last, the SE25-35 represents the next generation of electric forklift trucks.

Lithium-ion technology

Thanks to fast charging times, the SE25-35 electric forklift trucks with lithium-ion battery (Li-Ion) can be used almost without interruption. The CLARK Li-ion battery with 80 volts and 560 Ah is available in two battery tray sizes and can be used for both wheelbases (battery compartments). The charger with 80 volts, 120 A requires a high-voltage connection (CEE 16 A plug). The charging status of the Li-ion battery is shown on the vehicle display. The battery management system (BMS) has a safety cut-out and thus ensures safe use of the battery. Possible error codes of the BMS are also shown on the vehicle display.

Driver's workplace

- Ergonomic driver's workplace that offers plenty of legroom
- Minimal vibrations
- Non-slip metal step (step height: 420 mm)
- Non-slip foot area
- Large grab handle on the driver's side makes getting on and off easier
- Adjustable steering column for more leg and foot room
- Small steering wheel diameter ($\varnothing = 300$ mm)
- Hydraulic power steering
- Adjustable seats with mechanical or air suspension
- Hydraulic control via lever on the bonnet or electronic hydraulic control via mini levers
- Ergonomically arranged drive and brake pedals
- Low front panelling for optimum visibility
- Very good mast visibility due to double primary cylinders
- Cup holder, storage box and document holder with optional 12 V power connection or USB charging connection

Smart display

- Clear, easy-to-read 5-inch colour display
- Splash-proof
- Maintenance display and password-protected service access
- Customisable driving behaviour (including adjustable acceleration, electric braking behaviour and speed reduction when cornering)

Drive and control

Traction motors:

- Two powerful AC motors, each with 9.0 kW and 80 volt three phase technology
- Automatic protection: The motor power is automatically reduced to protect components from overheating.
- ZAPI DUAL AC control unit is protected in the counterweight.

Steering system

- Hydrostatic power steering
- Robust steering axle with 101° steering angle
- Automatically engaging, electric parking brake with roll-back protection on inclines and ramps
- Maintenance-free, wet multi-disc brake

Hydraulic system

- Large hydraulic oil tank ensures that there is always enough hydraulic oil for all mast and attachment types
- Full-flow return filter filters the oil every time it returns to the tank. Coarse particles are filtered directly via a suction filter and therefore do not enter the oil circuit. This ensures a long service life for all hydraulic components.

Lift mast

- The clear-view masts are available in Standard, Hilo and Triplex versions
- Very good visibility
- Double primary cylinders
- CLARK mast damping absorbs shocks during the transition between the individual mast stages
- Robust 6-roller fork carriage with adjustable side support rollers for long service life

Additional standard equipment

- Headlights (LED)
- SE tyres
- Indicators, rear combination light with brake light and white rear light (LED).
- Paintwork in bright safety colour „CLARK HOT YELLOW GREEN“
- Canopy and mast in matt black, rims in gloss black

Additional options

- Non-creeping SE tyres
- Cab variants
- Rain protection (PVC roof)
- Weather protection (steel roof and windscreen)
- Partial cab (steel roof, front and rear windscreen)
- Full cab
- Mini levers integrated in the armrest with direction of travel switch
- Direction of travel switch on the mechanical hydraulic lever
- Integrated or hook type sideshift
- Fork positioner
- Lateral battery change using a hand pallet truck (only for SE30/ SE35)
- Reversing camera
- 12 volt power connection
- USB charging connection
- Blue safety light as visual reversing warning
- Load weight indicator
- CLARK Vertical Mast System (VMS): When the function is activated, the tilting process of the mast stops automatically in a vertical position
- Various seats with armrest or side support bar
- Quick-release couplings
- Acoustic reversing alarm

Safety

The SE-Series is CE-certified and complies with all European safety standards. Contact your local CLARK dealer to find the right configuration for your needs.

CLARK Europe GmbH

Dr.-Alfred-Herrhausen-Allee 33
47228 Duisburg / Germany
Tel.: +49 (0)2065 499 13-0
Fax : +49 (0)2065 499 13-290

E-Mail: Info-europe@clarkmheu.com
www.clarkmheu.com

Dealer:

www.bakkerheftrucks.com

02/2024