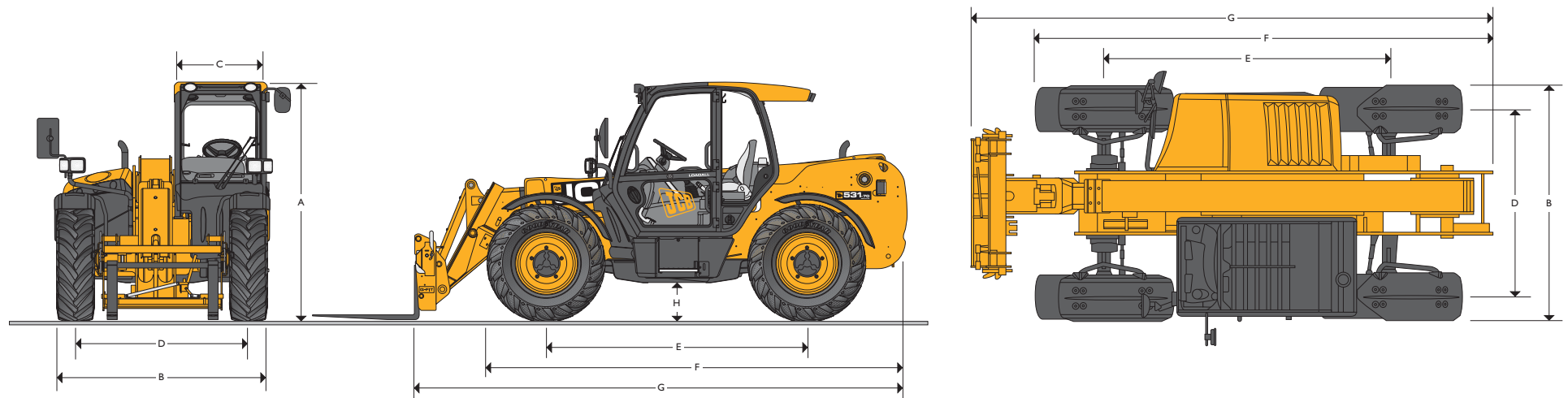


MAX. PAYLOAD: 3.1 tonnes MAX. LIFT HEIGHT: 7 metres



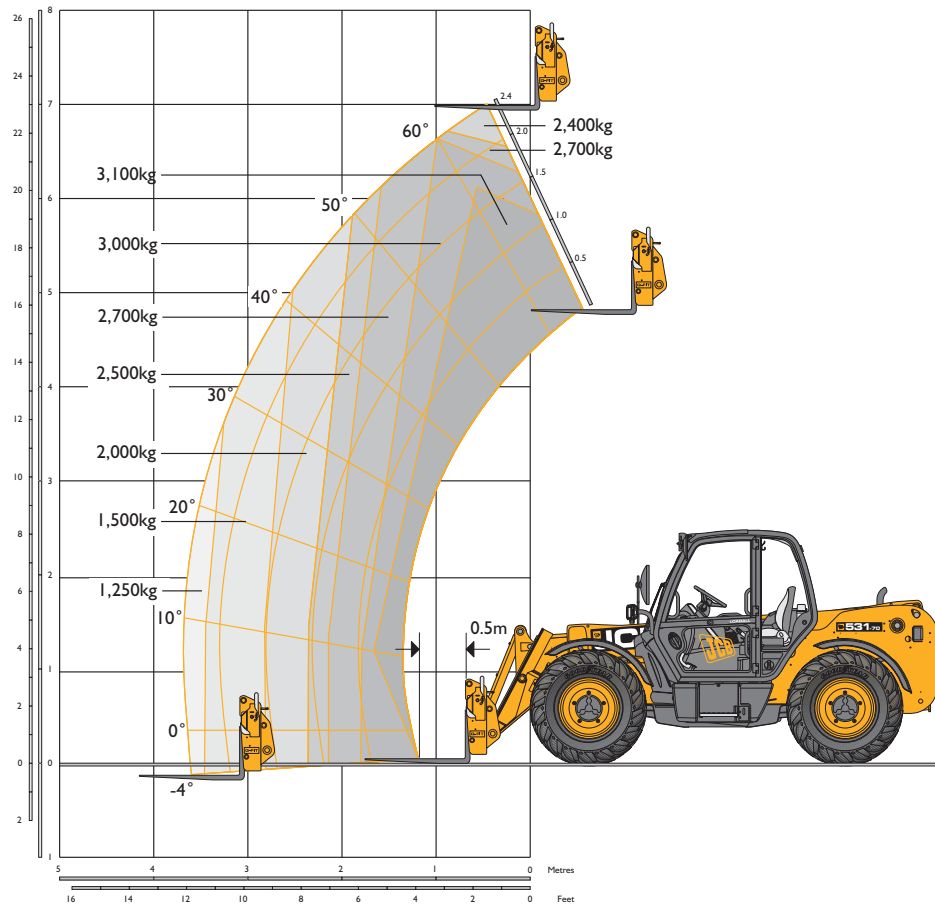
STATIC DIMENSIONS

Machine model	531-70
	m
A Overall height	2.49
B Overall width (over tyres)*	2.23
C Inside width of cab	0.94
D Front track	1.81
E Wheelbase	2.75
F Overall length to front tyres	4.38
G Overall length to front carriage	4.99

Machine model	531-70
	m
H Ground clearance	0.40
Outside turn radius (over tyres)	3.7
Carriage roll back angle	degrees 42.6
Carriage dump angle	degrees 37.5
Weight – Fixed	kg 7060
Tyres	15.5/80-24

*Dependant upon tyre specified.

LIFT PERFORMANCE – 531-70



LIFT PERFORMANCE – 531-70

Machine Model		531-70
Maximum lift capacity	kg	3100
Lift capacity to full height	kg	2400
Lift capacity at full reach	kg	1250
Lift height	m	7.0
Reach at maximum lift height	m	0.48
Maximum forward reach	m	3.7
Reach with 1 tonne load	m	3.7
Placing height	m	6.3

Complies with stability test EN 1459 Annex B.