

detas SHERPA
40-45-50-60

English



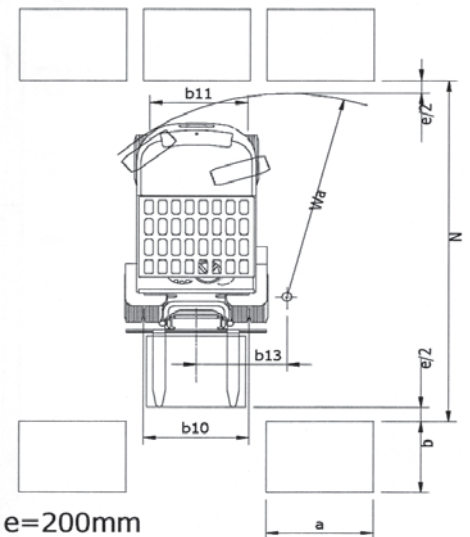
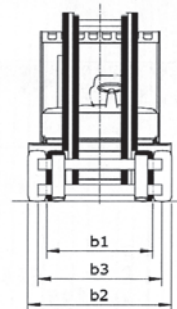
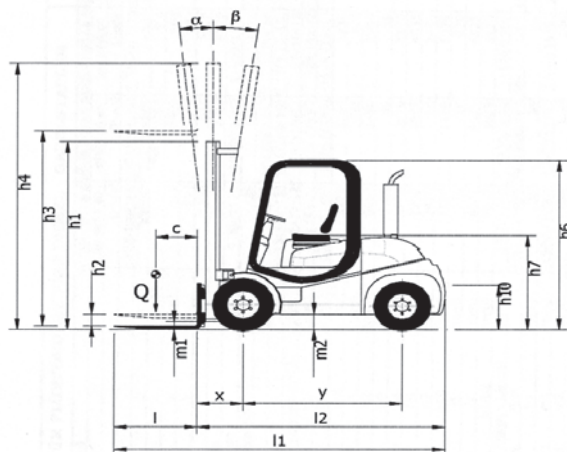
**NUOVA
DETAS**

Manufacturer of following brands:

DETAS • ROBUSTUS

CHARACTERISTICS			NUOVA DETAS Spa	NUOVA DETAS Spa	NUOVA DETAS Spa	NUOVA DETAS Spa
			SHERPA 40	SHERPA 45	SHERPA 50	SHERPA 60
1.1	Manufacturer					
1.2	Model					
1.3	Propulsion unit: electric, diesel, LPG		Diesel	Diesel	Diesel	Diesel
1.4	Operation station		Seated	Seated	Seated	Seated
1.5	Rated capacity	Q (t)	4	4,5	5,0	6,0
1.6	Load centre	c (mm)	500	500	600	600
1.8	Load distance from front axle centre	x (mm)	554	575	585	595
1.9	Wheelbase	y (mm)	1930	1930	2020	2100
2.1	Truck weight without load	Kg	6900	7000	8120	9250
2.2	Load on axles with load front / rear	Kg	9280 / 1620	10200 / 1300	11400 / 1720	13480 / 1770
2.3	Load on axles without load front / rear	Kg	3100 / 3800	3200 / 3800	3470 / 4650	4070 / 5180
3.1	Tyres PN/SE/CU		PN / SE	PN / SE (sing. only SE)	PN / SE	PN / SE
3.2	Tyres front size		250-15 (200-15)	28 x 12.5-15(200-15)	300-15(8.25-15)	300-15(8.25-15)
3.3	Tyres rear size		27x10-12	27x10-12	27x10-12	27x10-12
3.5	Tyres, number front / rear (x=driven)		2x (4x) / 2	2x (4x) / 2	2x (4x) / 2	2x (4x) / 2
3.6	Tread front wheel centre	b10 (mm)	1236 (1286)	1176 (1286)	1196 (1386)	1196 (1386)
3.7	Tread rear wheel centre	b11 (mm)	1230	1230	1230	1230
4.1	Mast tilting forward / backward	α/β (°)	6 / 8	6 / 8	6 / 8	6 / 8
4.2	Height with lowered mast	h1 (mm)	2450	2450	2500	2550
4.3	Normal free lift	h2 (mm)	80	80	80	80
4.4	Standard lifting	h3 (mm)	3170	3170	3170	3170
4.5	Height with extended mast	h4 (mm)	3985	3985	4035	4225
4.7	Overhead guard height	h6 (mm)	2410	2410	2460	2460
4.8	Seat height	h7 (mm)	1326	1326	1376	1376
4.12	Height of coupler	h10 (mm)	770	770	820	820
4.19	Total length	l1 (mm)	4007	4025	4325	4415
4.20	Length including fork back	l2 (mm)	3007	3025	3125	3215
4.21	Total width	b1/b2 (mm)	1520 / 1740	1520 / 1740	1520 / 1900	1520 / 1900
4.22	Standard forks: thickness / width / length	(mm)	50x150x1000	50x150x1000	60x150x1200	60x150x1200
4.23	Fork bearing plate FEM denomination	FEM	3A	3A	4A	4A
4.24	Width of bearing plate	b3 (mm)	1500 / (1700)	1500 / (1700)	1500 / (1850)	1500 / (1850)
4.31	Ground clearance at centre of wheelbase	m1 (mm)	150	150	200	200
4.32	Ground clearance at lowest point with load	m2 (mm)	215	215	265	265
4.33	Aisle width with pallet bxa pallets = 1000x1200	Ast (mm)	4454	4475	4585	4695
4.34	Aisle width with pallet axb pallets = 800x1200	Ast (mm)	4693	4713	4785	4895
4.35	External steering radius	Wa (mm)	2700	2700	2800	2900
4.36	Minimum between the centres of rotation distance	b13 (mm)	770	770	800	900
5.1	Speed of travelling with/without load	Km/h	20 / 21	20 / 21	20 / 21	20 / 21
5.2	Speed of lifting with/without load	m/s	0,30 / 0,45	0,30 / 0,45	0,30 / 0,35	0,30 / 0,35
5.3	Speed of lowering with / without load	m/s	0,56 / 0,45	0,56 / 0,45	0,56 / 0,45	0,56 / 0,45
5.5	Tractive force with / without load	N	23000 / 23000	23000 / 23000	24000 / 24000	23000 / 23000
5.7	Gradeability with / without load	%	22 / 25	21 / 26	18 / 24	16 / 28
5.9	Acceleration time with / without load	s	-	-	-	-
5.10	Service brake		Hydrostatic	Hydrostatic	Hydrostatic	Hydrostatic
7.1	Manufacturer		Perkins 1104C-44	Perkins 1104C-44	Perkins 1104C-44	Perkins 1104C-44
7.2	Continuous Power (DIN70020)	Kw	61,5	61,5	61,5	61,5
7.3	Rated speed	min ⁻¹	2200	2200	2200	2200
7.4	Number of cylinders/volume	cm ³	4/4400	4/4400	4/4400	4/4400
7.5	Fuel consumption	l/h	-	-	-	-
8.1	System of transmission		Hydrostatic	Hydrostatic	Hydrostatic	Hydrostatic
8.2	Working pressure for equipment	bar	180	180	180	180
8.3	Quantity of oil for equipment	l/min	90	90	90	90
8.4	Noise level at operation station	dB(A)	-	-	-	-
8.5	Type of coupler		-	-	-	-

All information and descriptions are indicative only, and in no way binding the manufacturer



detas SHERPA 40-45-50-60
 Nuova Detas SpA
 Via dell'Industria 61 - 33090 Coscano UD - Italy
 Tel. ++39 0432 861711 Fax ++39 0432 861219
 www.nuovadetas.com
 e-mail Export Sales Dept.: nuovadetas@nuovadetas.it
 e-mail After Sales Dept.: ricamb@nuovadetas.it
NUOVA DETAS
 Manufacturer of following brands:
DETAS ROBUSTUS