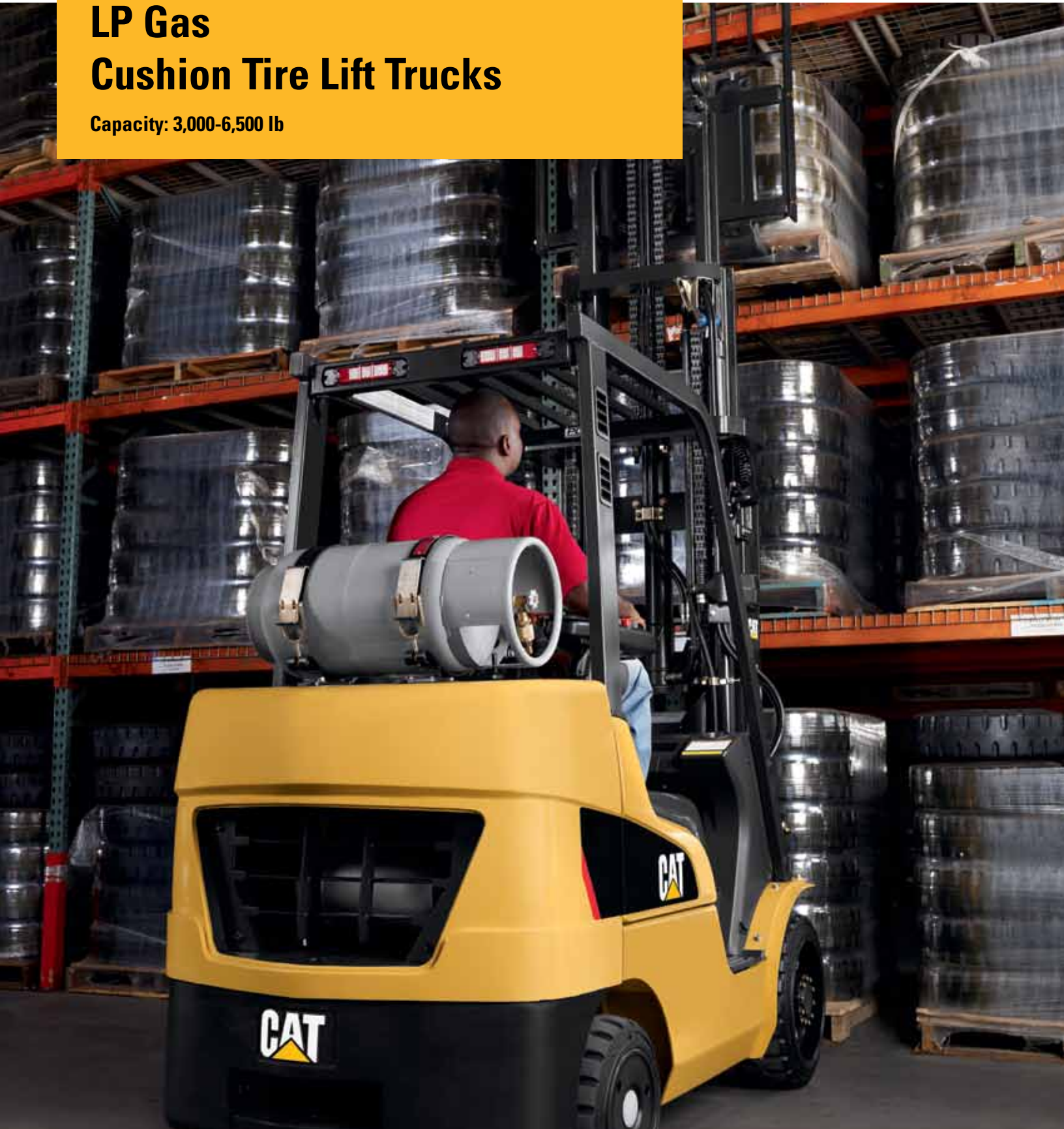


LP Gas Cushion Tire Lift Trucks

Capacity: 3,000-6,500 lb



2C3000-2C6500 Series

Dependable Performance

Engineered for maximum performance in a wide range of industries, the 3,000-6,500 lb capacity internal combustion cushion tire lift trucks provide quality solutions and come fully equipped with an extensive list of standard features.



Cat® lift trucks set the standard for the ultimate lifting experience. Exceptional comfort, hardworking products you can depend on and industry-leading customer service make these lift trucks the only choice for your material handling needs.

These rugged, compact lift trucks come with fuel-injected purePOWER® engines that provide excellent horsepower and torque in hard-working environments. The fuel management system optimizes fuel economy and extends tire life with the Fuel Saver Mode while meeting EPA and CARB requirements for CO, HC and NOx emissions.



Model	Fuel Type	Base Capacity At 24 in Load Center (lb)	Engine Displacement
2C3000	LP Gas	3,000	2.1L
2C3500	LP Gas	3,500	2.1L
2CC4000	LP Gas	4,000	2.1L
2C4000	LP Gas	4,000	2.5L
2C5000	LP Gas	5,000	2.5L
2C5500	LP Gas	5,500	2.5L
2C6000	LP Gas	6,000	2.5L
2C6500	LP Gas	6,500	2.5L

Commanding Presence

In control and delivering results. Your Cat lift truck will help keep the operator comfortable and productive.



Comfortable Operation

Operators of varying sizes can work long shifts comfortably in the standard full-suspension seat. An optional swivel seat and rear grab handle with horn button is available for high-shuttle applications.



Adjustable seating for increased comfort

Exceptional Floor Space

The open floor area, thick rubber floor mat and through-the-floor pedal design improve overall operator comfort. Foot direction control is an option for those applications that prefer single-pedal directional control.



Ample leg room to change positions



Premium Display Panel

The standard premium LED/LCD display provides productivity-enhancing tools that are helpful to the operator. Features such as an operator passcode system and maintenance interval reminders help ensure that the truck is running at peak performance.



Optimized display panel raises awareness

Optimized Visibility

Open overhead guards and narrow mast channels help improve operator visibility to the load and surroundings. Standard LED working lights illuminate the work area while providing significant maintenance savings over traditional halogen or incandescent lights.



Increased visibility

Consider The Options

A wide variety of options are available to customize the truck for operator convenience or premium comfort, including Fingertip Hydraulic Controls, swing-down LP tank bracket and other features to help enhance awareness.



Control at your fingertips

RELIABILITY

Step Up In Power

These trucks aren't built to sit on the sidelines. You can count on the 2C3000-2C6500 Series of internal combustion cushion tire lift trucks to deliver top performance throughout the shift.



Environmentally-Friendly Engines

The K21 and K25 purePOWER® engines work in the toughest conditions, while offering excellent fuel economy and low noise and vibration. The standard engine protection system (EPS) monitors performance and can help protect the system from damage.



Increased fuel efficiency, lower emissions

Serviceability

With up to 500 hour service intervals, display-based indicators and reminders and easy access to service components, you can count on maximizing uptime and lowering maintenance costs with your Cat lift truck.



Service time is minimized



Premium Standard Features

This truck contains a number of features designed to protect your investment and lower your ownership costs, including ground speed control, Fuel Saver Mode, an underbelly screen to protect components from debris, the engine protection system and LED working lights. These features, while standard on Cat lift trucks, are often optional items or not available on competitive units.

Application Options

Options such as attachments, quad masts and specialty tires can customize the truck for your specific needs, extending equipment service life and minimizing product damage.



Conveniently-placed features for easy access



Application options for improved cooling



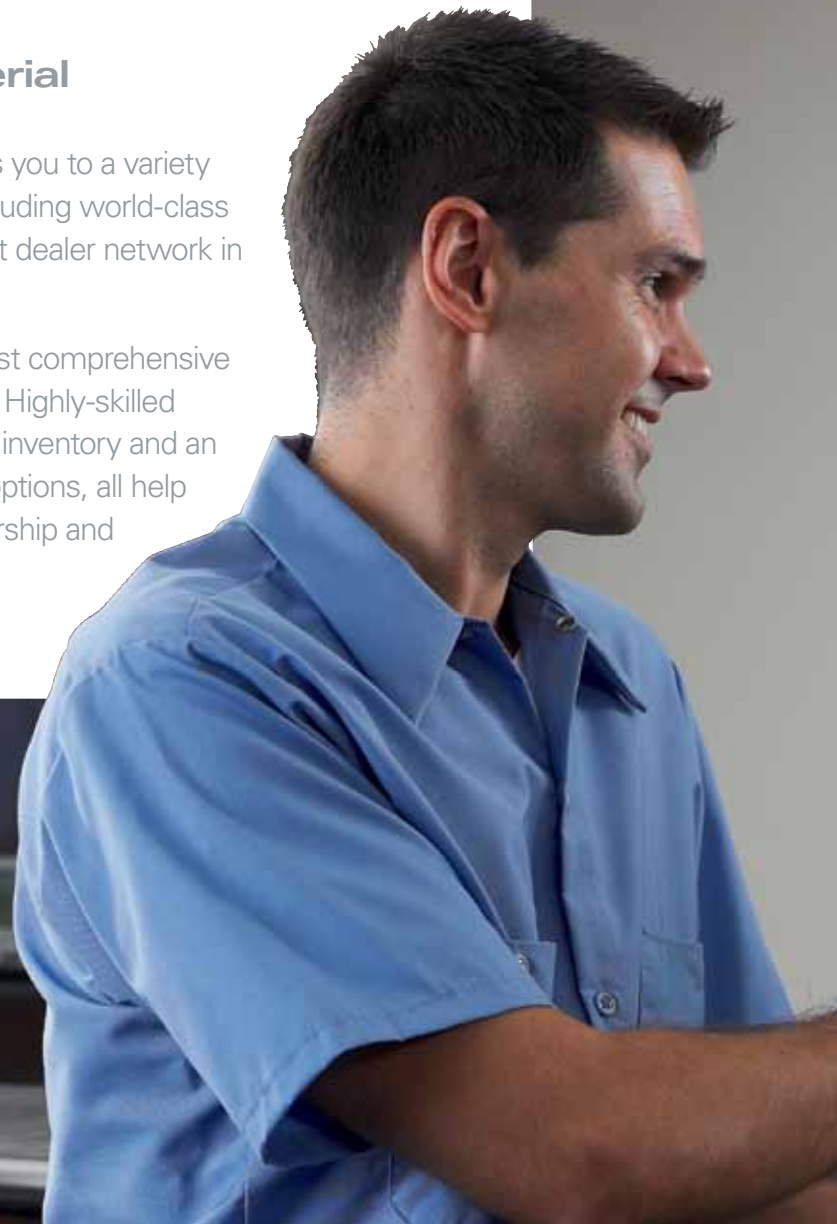
Solutions for your application

CUSTOMER SERVICE

Delivering Real Material Handling Solutions

A Cat lift truck purchase connects you to a variety of material handling solutions, including world-class service and support from the best dealer network in the industry.

Cat Lift Trucks also offers the most comprehensive support programs in the industry. Highly-skilled service technicians, diverse parts inventory and an outstanding selection of service options, all help to reduce your total cost of ownership and keep your lift trucks performing at their best.



Dealers You Can Depend On

With hundreds of dealer locations throughout North and South America, Cat lift truck dealers provide more than lift trucks. From flexible financing options, to parts, service and product support, our dealers are unsurpassed.



Professionals you can depend on

Standing Behind Our Products

We deliver peace of mind by helping your trucks stay on the job, day after day. Every new Cat lift truck is covered by a 1-year/2,000 hours warranty that includes parts and labor, as well as components and systems. With our standard 2-year/4,000 hours extended powertrain warranty, you'll have the confidence that only comes from owning a Cat lift truck.



Keeping you covered



Parts Fast Or Parts Free*

The Parts Fast Or Parts Free Guarantee ensures next-business-day delivery of all Cat lift truck parts, or they're free, including freight. If your part doesn't come in by the next business day, we pay for it.

Genuine OEM Parts

When you buy from your local dealer, you can be assured that your OEM part is manufactured to meet original equipment criteria. Additionally, all Cat lift truck OEM parts come with a six-month, unlimited-hours warranty.

Flexible Financing Options*

Financing your next Cat lift truck is easy with our wide range of flexible leasing and purchasing options. Whether you want to finance or lease, your local Cat lift truck dealer can help customize a package tailored to your specific needs.



Parts when you need them



Genuine Cat Lift Truck OEM parts



Custom financing packages

* Programs may be subject to change without notice and may vary by region. Please ask your local Cat lift truck dealer for complete terms and conditions.

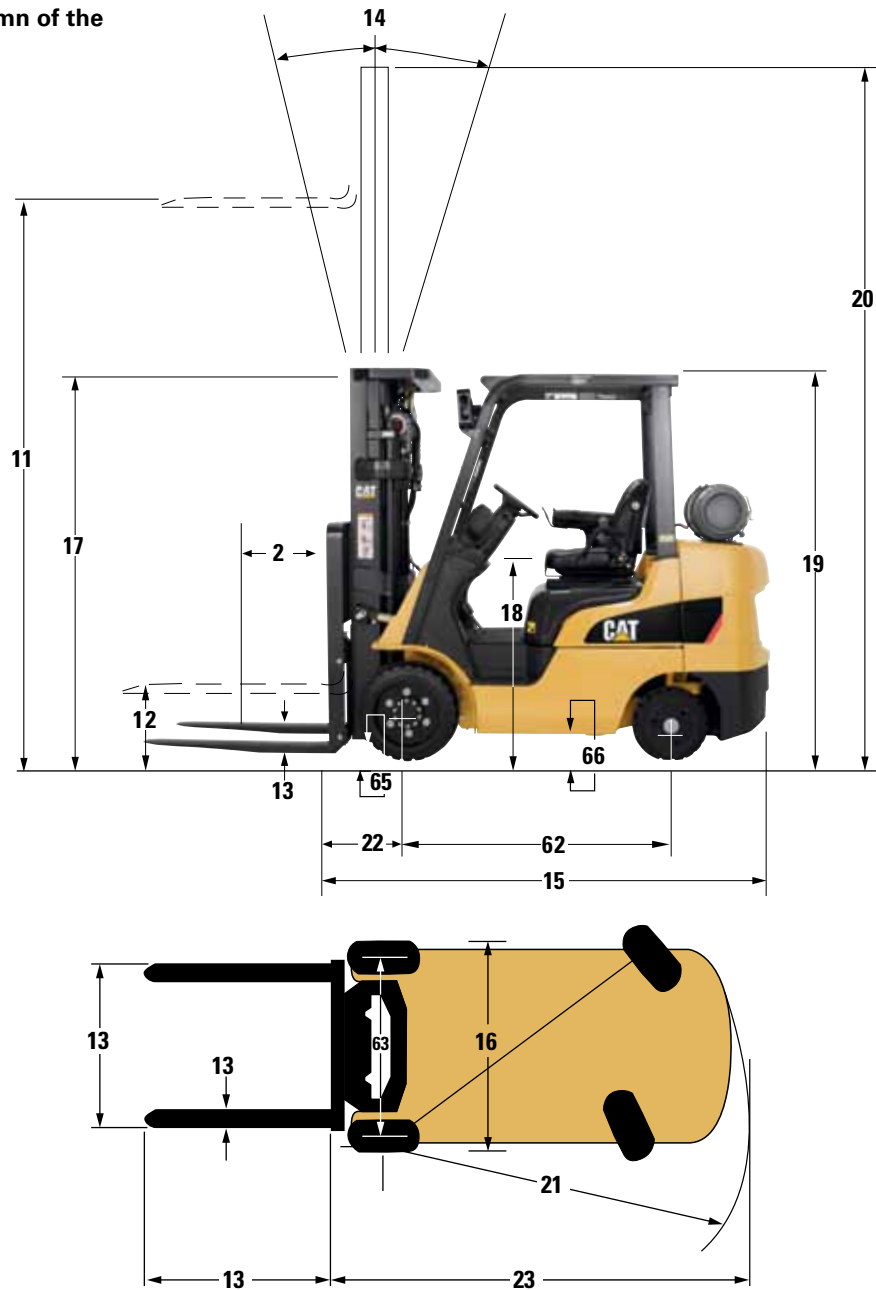
Specifications

Characteristics					2C3000		
1	Capacity	At rated load center	lb	kg	3,000	1,500	
2		At load center-distance	in	mm	24	500	
3	Power	LP gas			LP Gas		
4	Tire type	Cushion or pneumatic			Cushion		
5	Wheels (x = driven)	Number front / rear			2x / 2		
Dimensions					2C3000		
11	Lift with standard two-stage mast	Maximum fork height (top of forks)	in	mm	131.0	3,330	
12		Free fork height	in	mm	4.5	115	
13	Forks	Thickness x width x length	in	mm	1.4 x 3.9 x 42	35 x 100 x 1,070	
	Fork spacing	Out-to-out minimum / maximum	in	mm	7.9 / 32.3	200 / 820	
14	Tilt	Forward / backward	deg		5° / 10°		
15	Overall dimensions	Length to fork face	in	mm	82.0	2,080	
16		Width	With standard tires	in	mm	38.0	970
			With standard tires, wide-stance	in	mm	39.5	997
			With standard tires, wide-axle	in	mm	N/A	
17		Height	Mast lowered	in	mm	83.0	2,110
			Seat height	in	mm	42.0	1,070
			Top of overhead guard	in	mm	81.0	2,055
			Mast extended	in	mm	179.0	4,550
18	Minimum outside turning radius		in	mm	70.0	1,775	
22	Load moment constant		in	mm	15.3	388	
23	Minimum aisle - 90° stack - zero clearance w/out load ¹		in	mm	85.0	2,165	
Performance					2C3000		
40	Speeds	Travel speed loaded / empty	mph	km/h	9.5 / 10.0	15.5 / 16.5	
		Lift speed loaded / empty	fpm	mm/s	120 / 125	620 / 630	
		Lowering speed loaded / empty	fpm	mm/s	99 / 99	500 / 500	
43	Drawbar pull	Loaded at 1 mph (1.6 kph)	lb	N	3,760	16,700	
		Loaded maximum	lb	N	3,950	17,600	
44	Gradeability	Loaded at 1 mph (1.6 kph)	%		45		
		Maximum loaded / empty	%		50 / 23		
Weight					2C3000		
50	Empty		lb	Kg	6,040	2,740	
51	Axle load	Without load front / rear	lb	Kg	2,350 / 3,720	1,070 / 1,690	
		With load front	lb	Kg	7,870	3,570	
Chassis					2C3000		
60	Tire size	Front, standard	in		18 x 6 x 12.125		
61		Rear	in		14 x 5 x 10		
62	Wheelbase		in	mm	47.0	1,190	
63	Tread width	Front, standard tires	in	mm	32.0	818	
		Front, wide-stance tires	in	mm	33.5	845	
64		Rear, standard tires	in	mm	32.5	820	
65	Ground clearance	At lowest point of mast	in	mm	3.0	75	
		At center of wheelbase	in	mm	4.5	116	
67	Brakes	Service	type		Foot, Hydraulic		
68		Parking	type		Hand, Mechanical		
Powertrain					2C3000		
80	Engine	Model			K21		
81		Continuous output (S.A.E. gross)	at rpm	HP	kW	50	37.4
						2,400	
82		Maximum torque (S.A.E. gross)	at rpm	lb-ft	Nm	111	151
						2,000	
83	Cylinder displacement		cu in	L	126	2.1	
84	Transmission	Type			Powershift		
85		Number of speeds forward / reverse			1 / 1		
	Battery		volts		12		
Hydraulics					2C3000		
86	Relief pressure	For attachments at auxiliary valve	psi	bar	2,250	155	
88	Hydraulic flow	For attachments at auxiliary valve	gpm	L/min	19.0	72.0	

2C3500		2CC4000		2C4000		2C5000	
3,500	1,750	4,000	2,000	4,000	2,000	5,000	2,500
24	500	24	500	24	500	24	500
LP Gas		LP Gas		LP Gas		LP Gas	
Cushion		Cushion		Cushion		Cushion	
2x / 2		2x / 2		2x / 2		2x / 2	
2C3500		2CC4000		2C4000		2C5000	
131.0	3,330	131.0	3,330	131.5	3,340	131.5	3,340
4.5	115	4.7	120	5.1	130	5.1	130
1.4 x 3.9 x 42	35 x 100 x 1,070	1.6 x 3.9 x 42	40 x 100 x 1,070	1.6 x 3.9 x 42	40 x 100 x 1,070	1.6 x 3.9 x 42	40 x 100 x 1,070
7.9 / 32.3	200 / 820	7.9 / 32.3	200 / 820	7.9 / 36.0	200 / 920	7.9 / 36.0	200 / 920
5° / 10°		5° / 10°		5° / 9°		5° / 9°	
83.0	2,115	86.0	2,175	90.5	2,290	92.5	2,350
38.0	970	40.0	1,021	42.0	1,064	42.0	1,064
39.5	997	N/A		44.5	1,128	44.5	1,128
N/A		N/A		N/A		N/A	
83.0	2,110	83.0	2,110	83.0	2,110	83.0	2,110
42.0	1,070	42.0	1,070	42.4	1,080	42.4	1,080
81.0	2,055	81.0	2,055	81.5	2,070	81.5	2,070
179.0	4,550	179.0	4,550	179.5	4,560	179.5	4,560
71.0	1,810	73.0	1,850	77.5	1,965	79.5	2,020
15.3	388	15.9	404	16.3	414	16.3	414
86.5	2,195	88.5	2,255	93.5	2,380	96.0	2,440
2C3500		2CC4000		2C4000		2C5000	
9.5 / 10.0	15.5 / 16.5	9.5 / 10.0	15.5 / 16.5	11.0 / 11.5	17.5 / 18.0	11.0 / 11.5	17.5 / 18.0
120 / 125	620 / 630	120 / 125	620 / 630	125 / 130	640 / 660	125 / 130	640 / 660
99 / 99	500 / 500	98 / 98	500 / 500	98 / 98	500 / 500	99 / 99	500 / 500
3,750	16,700	3,660	16,300	4,650	20,700	4,620	20,500
4,340	19,330	4,530	20,100	5,070	22,600	5,840	26,000
40		36		45		37	
47 / 20		42 / 17		51 / 25		43 / 20	
2C3500		2CC4000		2C4000		2C5000	
6,420	2,910	6,980	3,170	7,310	3,320	8,110	3,680
2,230 / 4,230	1,010 / 1,920	2,040 / 4,890	930 / 2,220	3,050 / 4,290	1,380 / 1,950	2,800 / 5,340	1,270 / 2,420
8,670	3,930	9,440	4,280	9,990	4,530	11,470	5,200
2C3500		2CC4000		2C4000		2C5000	
18 x 6 x 12.125		18 x 7 x 12.125		21 x 7 x 15		21 x 7 x 15	
14 x 5 x 10		14 x 5 x 10		16 x 6 x 10.5		16 x 6 x 10.5	
47.0	1,190	47.0	1,190	55.0	1,400	55.0	1,400
32.0	818	33.0	843	35.0	886	35.0	886
33.5	845	N/A		37.5	950	37.5	950
32.5	820	32.5	820	35.0	890	35.0	890
3.0	75	3.0	75	3.1	80	3.1	80
4.5	116	4.5	116	5.4	139	5.4	139
Foot, Hydraulic		Foot, Hydraulic		Foot, Hydraulic		Foot, Hydraulic	
Hand, Mechanical		Hand, Mechanical		Hand, Mechanical		Hand, Mechanical	
2C3500		2CC4000		2C4000		2C5000	
K21		K21		K25		K25	
50	37.4	50	37.4	63	46.9	63	46.9
2,400		2,400		2,700		2,700	
111	151	111	151	139	188	139	188
2,000		2,000		1,600		1,600	
126	2.1	126	2.1	152	2.5	152	2.5
Powershift		Powershift		Powershift		Powershift	
1 / 1		1 / 1		1 / 1		1 / 1	
12		12		12		12	
2C3500		2CC4000		2C4000		2C5000	
2,250	155	2,250	155	2,250	155	2,250	155
19.0	72.0	19.0	72.0	23.5	89.1	23.5	89.1

2C5500		2C6000		2C6500	
5,500	2,750	6,000	3,000	6,500	3,300
24	500	24	500	24	500
LP Gas		LP Gas		LP Gas	
Cushion		Cushion		Cushion	
2x / 2		2x / 2		2x / 2	
2C5500		2C6000		2C6500	
130.5	3,320	130.5	3,320	132.0	3,350
5.3	135	5.3	135	5.5	140
1.8 x 4.9 x 42	45 x 125 x 1,070	1.8 x 4.9 x 42	45 x 125 x 1,070	1.8 x 4.9 x 42	45 x 125 x 1,070
7.9 / 38.0	200 / 960	7.9 / 38.0	200 / 960	7.9 / 38.0	200 / 960
5° / 6°		5° / 6°		5° / 6°	
95.0	2,415	96.5	2,450	97.5	2,480
44.0	1,115	44.0	1,115	44.0	1,115
45.5	1,155	45.5	1,155	45.5	1,155
N/A		N/A		N/A	
83.0	2,110	83.0	2,110	88.0	2,230
42.4	1,080	42.4	1,080	42.4	1,080
81.5	2,070	81.5	2,070	81.5	2,070
178.5	4,540	178.5	4,540	180.0	4,570
81.0	2,065	82.5	2,095	83.5	2,125
17.2	436	17.2	436	17.4	441
98.5	2,500	99.5	2,530	101.0	2,560
2C5500		2C6000		2C6500	
10.0 / 10.5	16.5 / 17.0	10.0 / 10.5	16.5 / 17.0	10.0 / 10.5	16.5 / 17.0
105 / 105	530 / 540	105 / 105	530 / 540	105 / 105	530 / 540
98.0 / 98.0	500 / 500	98 / 98	500 / 500	98 / 98	500 / 500
4,870	21,600	4,840	21,500	4,820	21,500
6,380	28,400	6,800	30,200	7,280	32,400
36		33		31	
41 / 19		38 / 17		35 / 16	
2C5500		2C6000		2C6500	
9,010	4,090	9,440	4,280	9,880	4,480
3,010 / 5,990	1,370 / 2,720	2,820 / 6,580	1,280 / 2,980	2,680 / 7,200	1,220 / 3,260
12,640	5,730	13,320	6,040	14,010	6,350
2C5500		2C6000		2C6500	
21 x 8 x 15		21 x 8 x 15		21 x 8 x 15	
16 x 6 x 10.5		16 x 6 x 10.5		16 x 6 x 10.5	
55.0	1,400	55.0	1,400	55.0	1,400
36.0	912.0	36.0	912	36.0	912
37.5	952	37.5	952	37.5	952
35.0	890	35.0	890	35.0	890
3.1	80.0	3.1	80	3.1	80
5.4	139	5.4	139	5.4	139
Foot, Hydraulic		Foot, Hydraulic		Foot, Hydraulic	
Hand, Mechanical		Hand, Mechanical		Hand, Mechanical	
2C5500		2C6000		2C6500	
K25		K25		K25	
63	46.9	63	46.9	63	46.9
2,700		2,700		2,700	
139	188	139	188	139	188
1,600		1,600		1,600	
152	2.5	152	2.5	152	2.5
Powershift		Powershift		Powershift	
1 / 1		1 / 1		1 / 1	
12		12		12	
2C5500		2C6000		2C6500	
2,250	155	2,250	155	2,250	155
23.5	89.1	23.5	89.1	23.5	89.1

Call-out numbers shown in the diagram correspond to the first column of the specifications chart.



Safety Standards

These trucks meet American National Standards Institute/Industrial Truck Standards Development Foundation, ANSI/ITSDF B56.1.

UL-Classified by Underwriters Laboratories, Inc., as to fire and electric shock hazard only. Types LP, LPS (optional), Industrial Trucks. Users should be aware of, and adhere to, applicable codes and regulations regarding operator training, use, operation and maintenance of powered industrial trucks, including:

- ANSI/ITSDF B56.1.
- NFPA 505, fire safety standard for powered industrial trucks - type designations, areas of use, maintenance and operation.
- Occupational Safety and Health Administration (OSHA) regulations that may apply.

Specifications, equipment, technical data, photos and illustrations based on information at time of printing and subject to change without notice. Some products may be shown with optional equipment.



Quality

Reliability

Customer Service

Experienced professionals at your local dealership and on our National Accounts Team can assist you with your lift truck purchase or lease. Your Cat lift truck dealer can provide options and additional visual and audible warning devices geared toward your specific requirements. Operator training programs are also available to boost productivity and to help reduce the potential for product damage and personal injury.



LP Gas Cushion Tire Lift Trucks

Capacity: 3,000-6,500 lb

1-800-CAT-LIFT | www.cat-lift.com | m.cat-lift.com

Copyright © 2013 by MCFA. All rights reserved. CAT, CATERPILLAR, their respective logos, "Caterpillar Yellow" and the "Power Edge" trade dress, as well as corporate and product identity used herein, are trademarks of Caterpillar and may not be used without permission. All registered trademarks are the property of their respective owners. Some products may be shown with optional equipment. Printed in U.S.A.

CECT0009-02

02/13

CAT® Lift Trucks