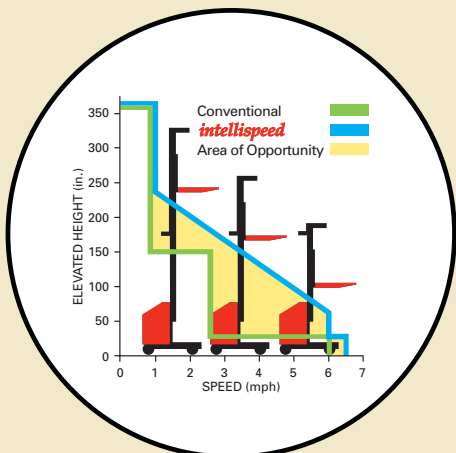


The 5000 Series Furniture Orderpicker



To optimize picking productivity, the *intellispeed* system smoothly coordinates travel speeds and load height.

The *Raymond*® 5000 Series Furniture Orderpickers deliver the legendary performance of *Raymond* trucks, combined with furniture handling performance features.

More productive time in each shift.

The 5000 Series is available in both 24- and 36-volt versions. The 36-volt unit offers faster lift speeds and longer time between battery charges, which is ideal in tall furniture applications where productivity is critical.

More picks per hour. Up to 50% of picking time is spent traveling between picks. The *intellispeed*™ option offers faster travel speeds at higher heights, reducing travel time between picks and letting operators perform more picks per hour.

Smooth load handling. *ACR System*™ equipped trucks give you faster acceleration. Better control of load-handling. The variable lifting and lowering speed control lets operators feather the lifting and lowering speed for exact platform placement. The patented spring suspension and mast staging system cushion the ride for the operator and the load, for more operator comfort and less load damage.

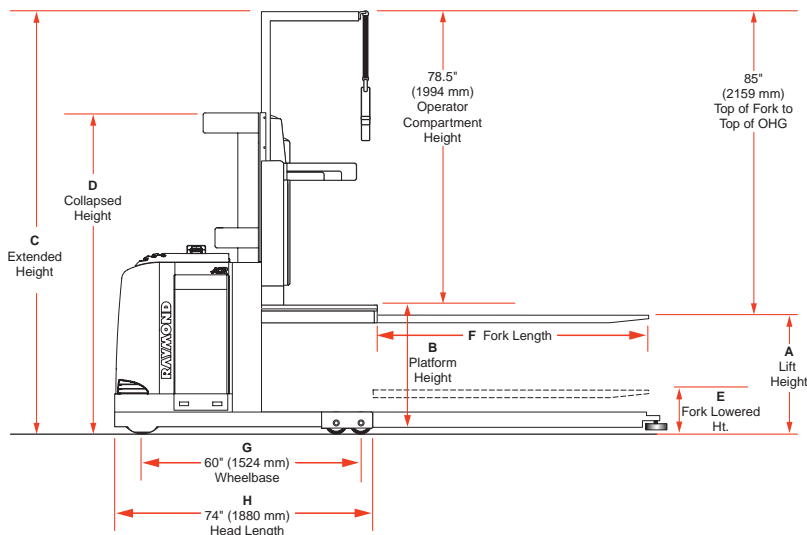
RAYMOND
Above. And beyond.®

www.raymondcorp.com

The legendary performance of Raymond® Trucks combined with furniture handling smoothness.

Specifications 5000 Series

A Lift Height	204"	240"	273"	300"	315"	330"	348"	366"
B Platform Height	213.25"	249.25"	282.25"	309.25"	324.25"	339.25"	357.25"	375.25"
C Extended Height	289"	325"	358"	385"	400"	415"	433"	451"
D Collapsed Height	95"	107"	118"	127"	132"	141"	147"	153"
E Fork Lowered HT.**	8"	8"	8"	8"	8"	8"	8"	8"
F Fork Length (4" X 4")	84" or 96"							
G Wheelbase	60"							
H Head Length	74"							
Turning Radius	72.75"							
Truck Length	160" or 172.5" (86.5" or 98.5" baseleg length)							
Platform Width	39", 44", 47", 51", 55", 59", 63", 67"							
Baseleg OAW	51.5" - 56"							
Guide Wheel OAW (3.25" from floor to top of roller)	Baseleg OAW + 2"							
Capacity at 48" load center*	1,600 lbs. to 240", 1,200 lbs. to 315", 1,000 lbs. to 366"							
Cross tie at end of Guide Rollers standard. Consult factory if using Carts.								
Hi—Performance	24V	24V				36V		
Model	5400	5500				5600		
Travel Speed Empty/Loaded	6.5/6.5 mph		6.5/6.5 mph			6.5/6.5 mph		
Lift Speed Empty/Loaded	73/43 fpm		82/43 fpm			90/57 fpm		
Lowering Speed Empty/Loaded	70/92 fpm		70/92 fpm			70/92 fpm		



Fully programmable.

The programmable performance allows the truck to be set for different operators and other variables. You can custom-configure travel speed, acceleration and deceleration rates for forward, reverse, lift, lower and display such real-time data as maintenance reminders and battery state of charge.



Due to continuous product improvement, specifications are subject to change without notice or obligation. *intellispeed*, *Raymond*, and are U.S. trademarks of The Raymond Corporation. *Above. And beyond.* is a U.S. service mark.

© 2006 The Raymond Corporation, Greene, NY. Printed in USA. SICHH-0027 406CT-10

RAYMOND
Above. And beyond.®

The Raymond Corporation
P.O. Box 130
Greene, New York 13778-0130
Toll free 1 (800) 235-7200
Fax 1 (607) 656-9005

www.raymondcorp.com