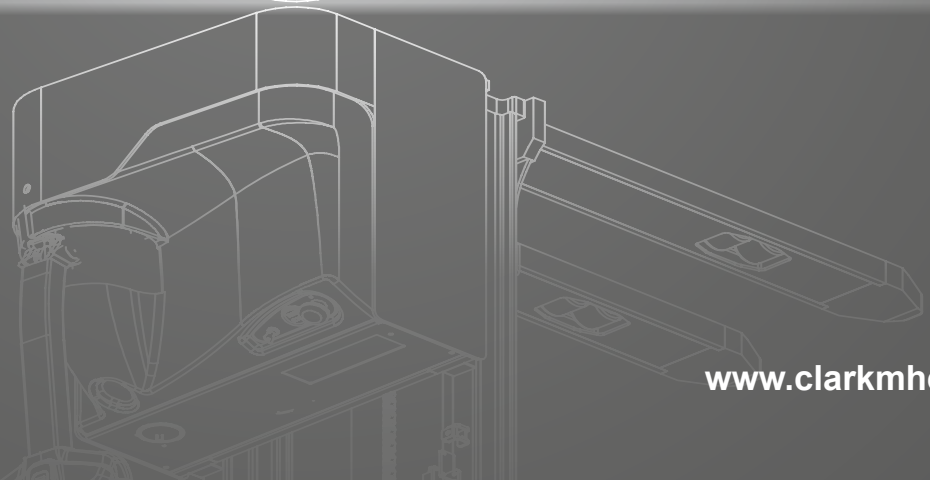
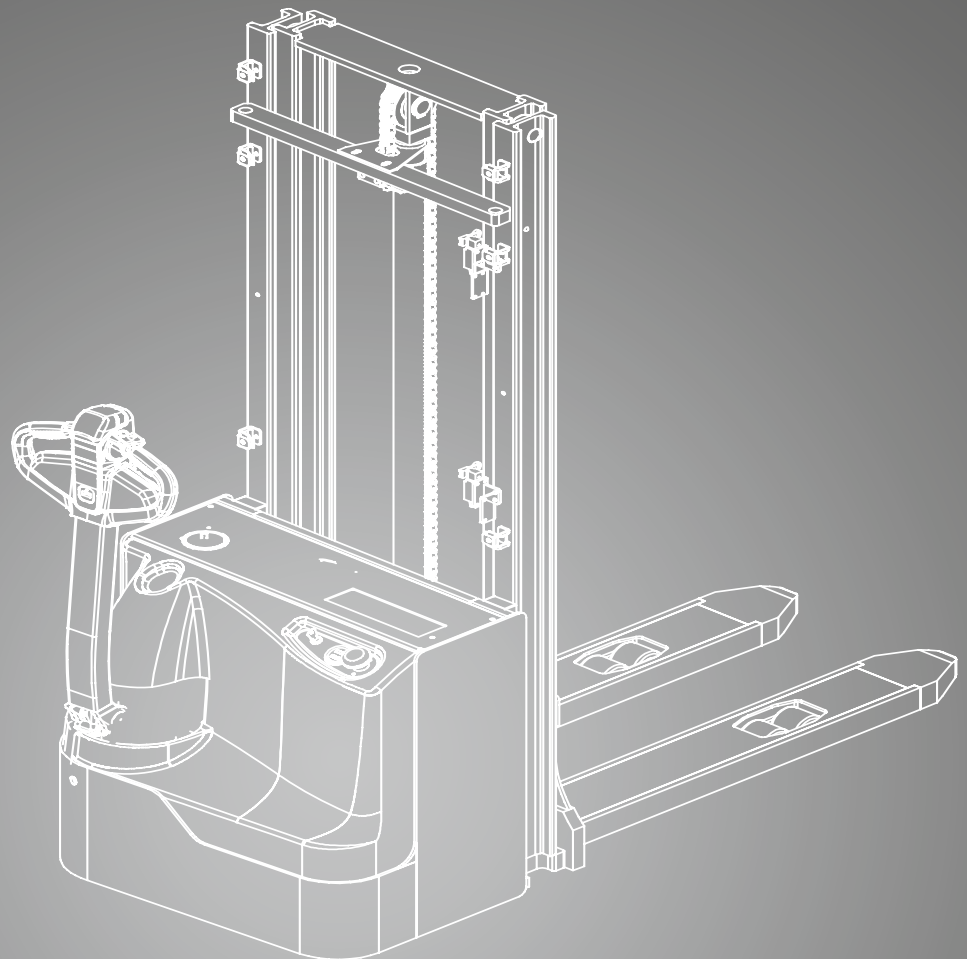


# SWX16

Electric Stacker Truck  
1600 kg



# DIMENSIONS

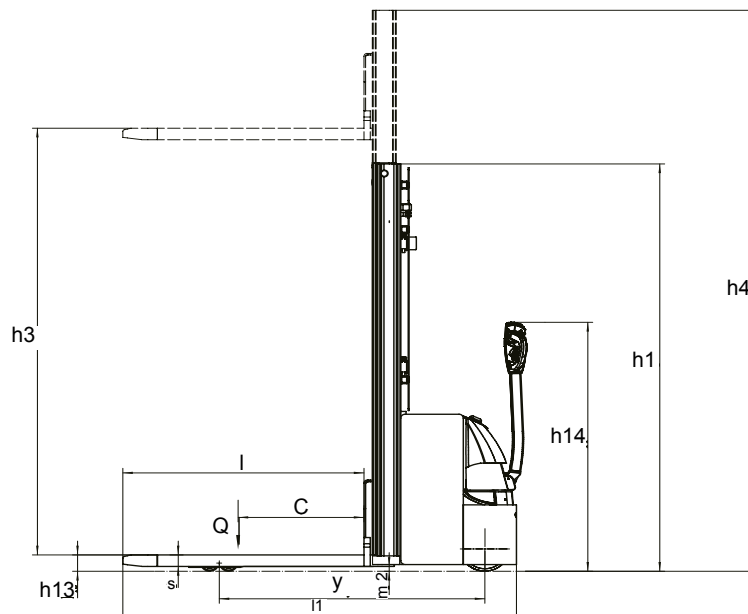
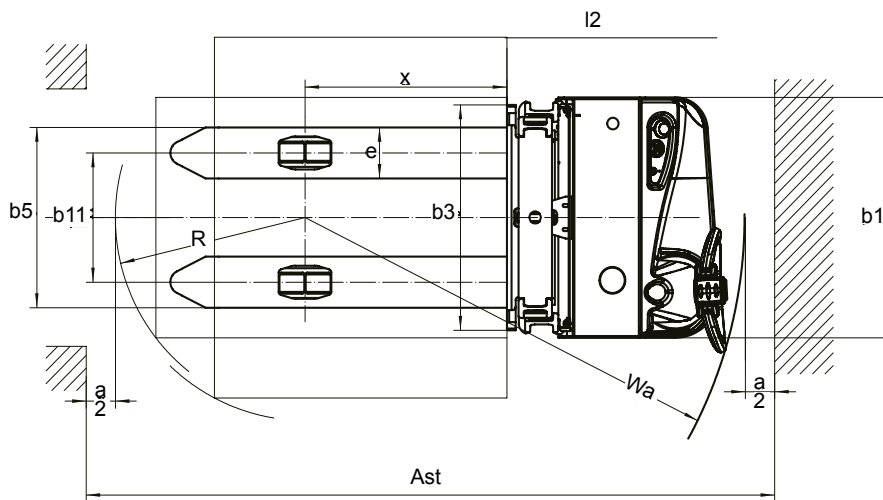
## SWX16

$$R = \sqrt{(l_0 - x)^2 + \left(\frac{b_{12}}{2}\right)^2}$$

$$R_h = \sqrt{x^2 + \left(\frac{b_{12}}{2}\right)^2}$$

$$A_{st} = W_a + R + a \text{ if } R_h < W_a$$

$$A_{st} = R_h + R + a \text{ if } R_h > W_a$$



For corresponding data see specification chart.

# SPECIFICATIONS

## Product specifications acc. to VDI 2198

1.1 Manufacturer (Abbreviation)		CLARK
Specifications	1.2 Manufacturer's designation	<b>SWX16</b>
	1.3 Drive	24 V, Electric
	1.4 Operator type	Pedestrian
	1.5 Rated capacity / rated load	Q (kg) 1600
	1.6 Load centre distance	c (mm) 600
	1.8 Load distance	x (mm) 690
	1.9 Wheelbase	y (mm) 1272
Weight	2.1 Service weight (incl. lead-acid battery)	kg 905
	2.2 Axle loading laden front/rear (Li-Ion)	kg -
	2.3 Axle loading unladen front/rear (Li-Ion)	kg -
Tyres, Chassis	3.1 Tyres	Polyurethane
	3.2 Tyre size, front	Ø 230 x 75
	3.3 Tyre size, rear	Ø 85 x 70
	3.4 Additional wheels (dimensions)	Ø 130 x 55
	3.5 Wheels, number front/rear (x = driven wheels)	1 x + 1 / 4
	3.6 Tread, front	b10 (mm) 538
	3.7 Tread, rear	b11 (mm) 406
Dimensions	4.2 Height upright lowered	h1 (mm) 1970
	4.4 Lift	h3 (mm) 2910
	4.4 Lift height	h3 + h13 (mm) 3000
	4.5 Height upright extended	h7 (mm) 3425
	4.9 Height tiller in driving position min. / max.	h14 (mm) 715 / 1200
	4.15 Height lowered	h13 (mm) 90
	4.19 Overall length	l1 (mm) 1881
	4.20 Length to face of forks	l2 (mm) 731
	4.21 Overall width	b1 (mm) 800
	4.22 Fork dimensions	s • e • l (mm) 65 x 170 x 1150
	4.25 Distance between fork arms	b5 (mm) 570
	4.32 Ground clearance, centre of wheelbase	m2 (mm) 25
	4.33 Aisle width for pallets 1000 x 1200 sideways	Ast (mm) 2383
4.34 Aisle width for pallets 800 x 1200 lengthways	Ast (mm) 2355	
4.35 Turning radius	Wa (mm) 1507	
Performance	5.1 Travel speed laden / unladen	km / h 5 / 5,5
	5.2 Lift speed laden / unladen	m / s 0,2 / 0,26
	5.3 Lowering speed laden / unladen	% 0,4 / 0,3
	5.8 Max. gradeability laden / unladen * 1	8,0 / 16,0
	5.10 Service brake	Electric
Electrics	6.1 Drive motor rating S2 60 min	kW 1,6
	6.2 Lift motor rating at S3 15 %	kW 4,5
	6.3 Battery acc. to DIN 43531/35/36 A, B, C, no	No
	6.4 Battery voltage/nominal capacity (Li-Ion)	Ah / 5hr 24 V / 225Ah (24 V / 205 Ah)
	6.5 Battery weight (Li-Ion)	kg 205 (142)
	6.6 Energy consumption acc. to VDI - cycle	kWh / h -
	- Battery type	Traction battery (Li-Ion)
	8.1 Type of drive unit	AC
10.5 Steering design	Mechanical	
Misc.	10.7 Sound pressure level at drivers' seat acc. EN 12053	dB(A) 74

\* 1) At friction coefficient  $\mu = 0.6$  with 1.6 km / h

All data refer to truck in standard design.

All dimensions are subject to the usual tolerances.

CLARK products and specifications are subject to change without notice. Illustrations and technical specifications are not binding for the execution.

# PRODUCT DESCRIPTION

The CLARK SWX16 electric stacker truck is ideal for transporting and storing goods over short distances. With a maximum lifting height of 5500 mm (h3), even higher shelves can be reached without any problems. Thanks to its compact dimensions, safe handling is possible even in narrow aisles. The standard CLARK SpeedControl (CSC) increases safety during operation by automatically adjusting the travel speed to the position of the tiller. In addition, the standard proportional hydraulic control enables precise storage and retrieval of sensitive loads.

## Available with lithium-ion battery (Li-Ion).

The SWX16 is available with a 205 Ah lithium-ion battery. A 24 V, 100 Ah charger for Li-Ion batteries is used for this battery. Recharging the Li-Ion battery is possible at any 230 V socket. No high-voltage connection is required.

The advantages of Li-Ion technology are:

1. high availability due to short charging times
2. no battery change required
3. cost savings due to longer life cycle and freedom from maintenance compared to lead-acid batteries
4. no separate battery charging room and ventilation required, as no gases are produced

However, the SWX16 can also be conventionally equipped with a lead-acid battery.

## CLARK SpeedControl (CSC)

The standard safety function CLARK SpeedControl (CSC) facilitates manoeuvring and is particularly helpful in space-critical applications.

Depending on the tiller position, the maximum driving speed is automatically adjusted. In the SpeedControl range (S), the maximum driving speed is reduced, thus ensuring safe positioning. With the tiller in the normal driving position (K), the maximum driving speed is possible.

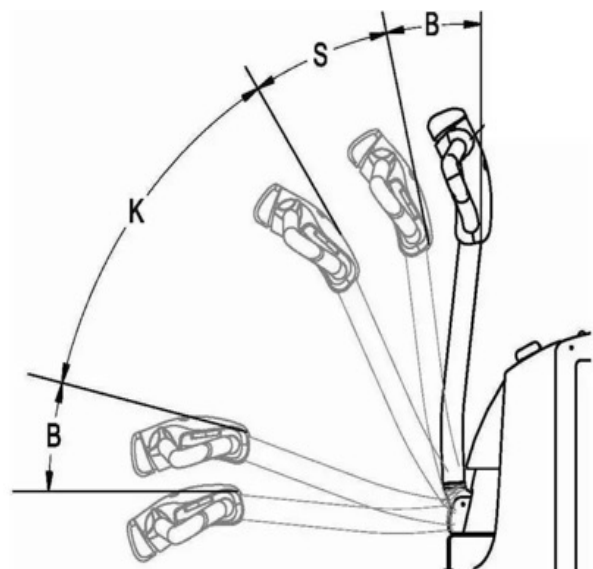
Automatic braking takes place as soon as the tiller position is in the braking range (B). All parameters can be set individually on customer request.

## Version with proportional stroke

The SWX16 is equipped with proportional lift so that delicate goods can be positioned precisely. This is particularly advantageous when the distance between two shelves is small. Due to the proportional control of the SWX16, precise positioning of the load is effortless both when lifting and lowering.

## User-friendly and safe in use

All controls and functions for lifting, lowering and driving are positioned within easy reach in the ergonomic tiller, which can be operated by both right-handed and left-handed operators. The vehicle brakes automatically as soon as the driver releases the tiller. The tiller is long and low-set. This not only gives the operator sufficient safety distance from the vehicle, but also an optimal view of the forks.

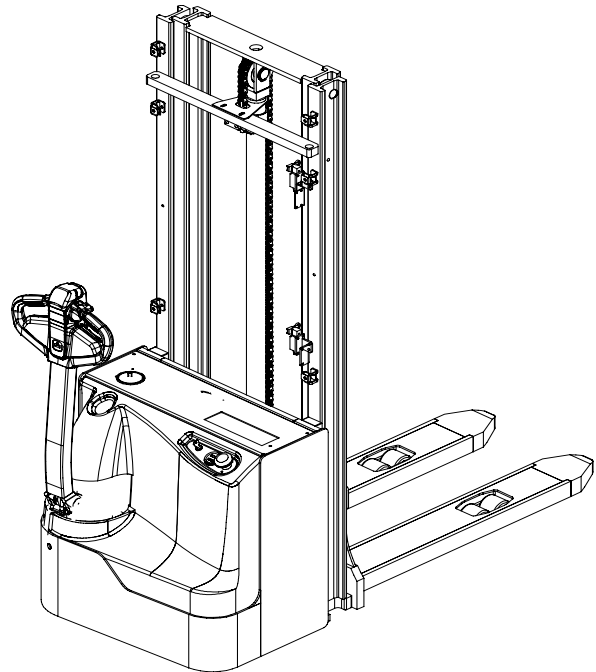


# FEATURES AND BENEFITS

## SWX16

### Upright table SWX16

Upright type	Lift height (h3+h13)	Built height lowered (h1)	Height upright extended (h4)	Freelift (h2)
	mm	mm	mm	mm
Standard	2500	1720	2935	90
	2700	1820	3135	90
	3000	1970	3435	90
	3300	2120	3735	90
	3600	2270	4035	90
	3900	2420	4335	90
Triplex	4000	1820	4445	1430
	4500	2020	4945	1630
	4800	2115	5245	1730
	5000	2185	5445	1800
	5500	2385	5945	2000



#### Performance & Safety

- Powerful AC drive motor
- Push button for driving with the tiller in the upright position
- Compact design for safe handling in tight work areas
- Proportional lift system for maximum precision when lifting and lowering
- Driving speed reduction when load is lifted
- Battery capacity with lead-acid battery: 225 Ah
- Battery capacity with Li-Ion battery: 205 Ah
- CLARK SpeedControl (CSC) is standard equipment

#### Reliability & serviceability

- Error code indication in display
- Proven AC controllers
- Easy access for service and maintenance thanks to one-piece bonnet
- Programming of travel and lift parameters is simple and straightforward

#### Comfort & ergonomics

- The controls are positioned within easy reach
- A storage compartment on the battery cover
- Discharge indicator in a convenient position for viewing

# EQUIPMENT OPTIONS



		SWX16
<b>General</b>	Low-maintenance AC traction motor	•
	Proportional hydraulic system	•
	Protected lifting cylinders	•
	Stable 4-point support	•
	Easy to open engine cover for easy servicing	•
	Storage compartment on battery cover with cup holder	•
<b>Drive and batteries</b>	Available with lead-acid battery (225 Ah)	•
	Available with lithium-ion battery (205 Ah)	X
	Tandem load roller (polyurethane)	•
	Battery discharge indicator	•
<b>Safety</b>	Activation via key switch	•
	Finger protection through plexiglass on lift mast	•
	Push button for driving with tiller in upright position	•
	CLARK SpeedControl (CSC)	•
	Automatic stop on slopes (automatic parking brake)	•
	Ergonomic safety tiller	•

• = Standard equipment, x = Option, - = Not available

Dealer:

CLARK Europe GmbH  
 Dr.-Alfred-Herrhausen-Allee 33  
 47228 Duisburg / Germany  
 Tel.: +49 (0)2065 499 13-0  
 Fax: +49 (0)2065 499 13-290  
 E-Mail: [Info-europe@clarkmheu.com](mailto:Info-europe@clarkmheu.com)  
[www.clarkmheu.com](http://www.clarkmheu.com)

Valid for Lot-Nr. SWX16: 8318

08/2023